

# CABIN AIR FILTER – INSTALLATION INSTRUCTIONS

Part No.: PC9978X

Est. Installation Time: less than 15 mins

Lexus OE: 87139-30100

The Cabin air filter is located behind the glove compartment

- Open the glove box
- Lift the side with the stay, disconnect the stay tabs and remove the partition by pulling horizontally (Fig 1)
- Unlatch filter cover by squeezing the right-side clip together and pull the filter cover out (Fig 2)
- Remove the old filter from assembly, taking note the air flow arrow indicator on the side of the old filter
- Insert the new filter into the assembly, making sure the air flow direction is correct according to the arrow indicator
- Replace the rest of the glove box assembly by reversing the removal procedure

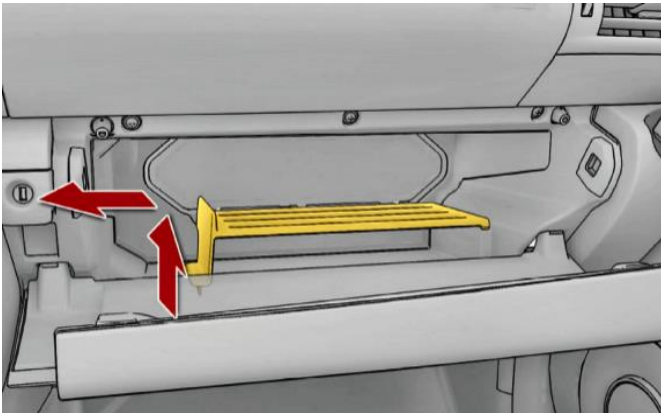


Figure 1

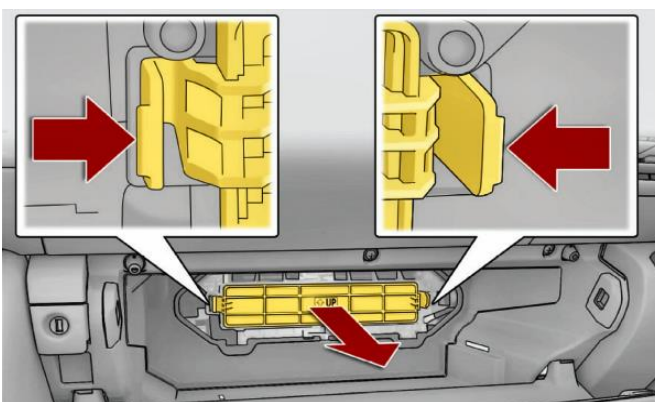


Figure 2

This is only a guide and may not be for exact model. See Owner's manual and/or local mechanic for exact instructions for the particular model.