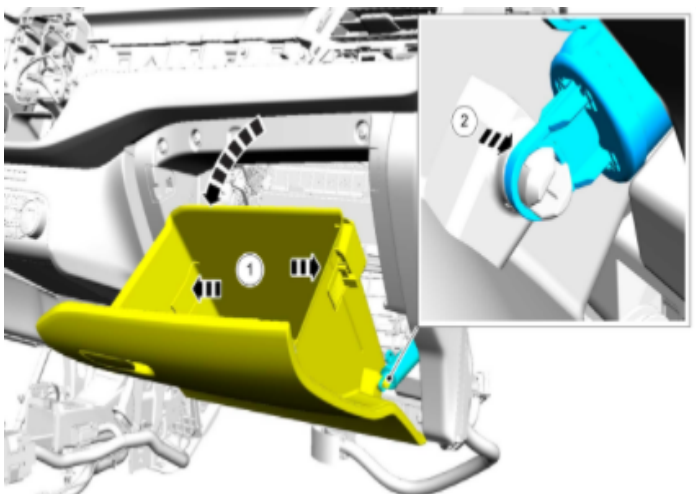


# CABIN AIR FILTER – INSTALLATION INSTRUCTIONS

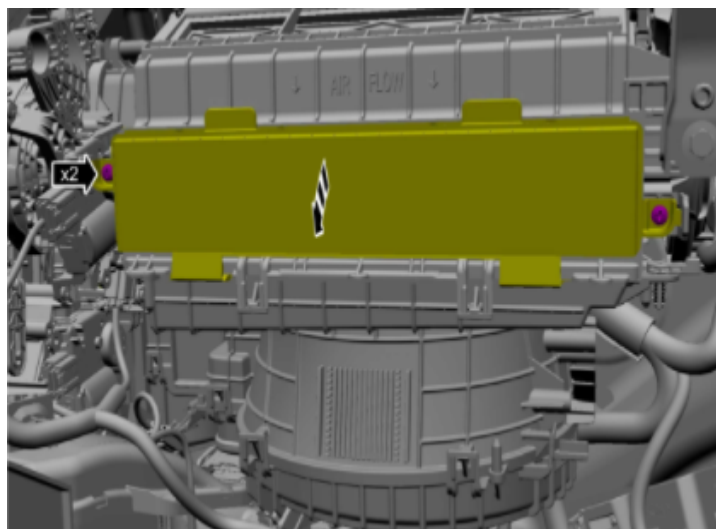
Est. Installation Time: less than 15 min.

The Cabin air filter is located behind the glove compartment

1. Release the stop tabs.
2. Remove the dampener and fully lower the glove compartment.

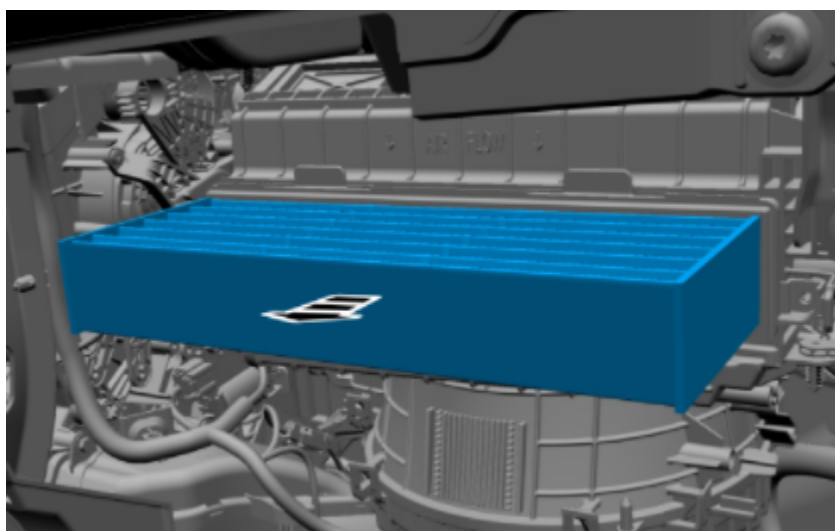


2. Remove the screws and open the cabin air filter door.



3. Remove the cabin air filter.

Replace the air filter with new according to the arrow direction of air flow.



To complete reverse the removal procedure.

This is only a guide and may not be for exact model. See Owner's manual and/or local Technician for exact instructions for the particular model.