

# CABIN AIR FILTER – INSTALLATION INSTRUCTIONS

Part No.: **PC99461P**

Est. Installation Time: **less than 15 mins**

Ford OE: **KB3Z19N619-A**

The Cabin air filter is located behind the glove compartment

- Open the glove box
- Remove the dampener rod
- Depress the sides of the glove box to disengage the stops and allow the glove box to hang freely on the hinges (Fig 1)
- Remove filter housing cover by pressing it to the left and pulling it out – (Fig 2)
- Remove the old cabin air filter, taking note the air flow arrow indicator on the side of the old filter (Fig 3)
- Insert the new filter into the assembly, making sure the air flow direction is correct according to the arrow indicator
- Replace the rest of the glove box assembly by reversing the removal procedure

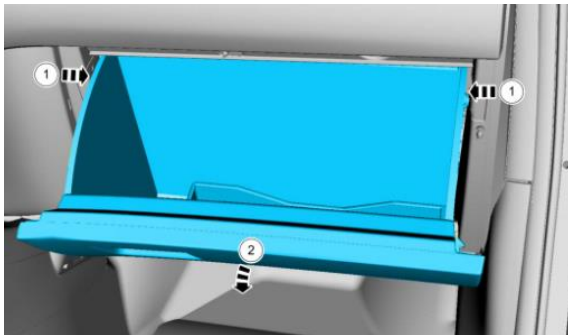


Figure 1

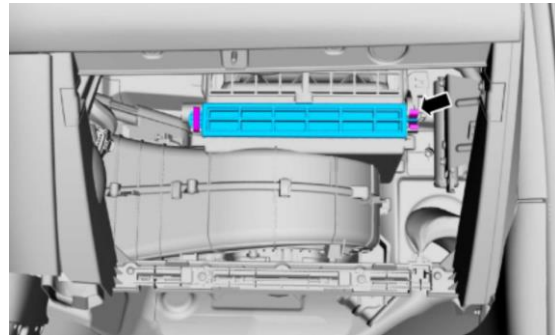


Figure 2

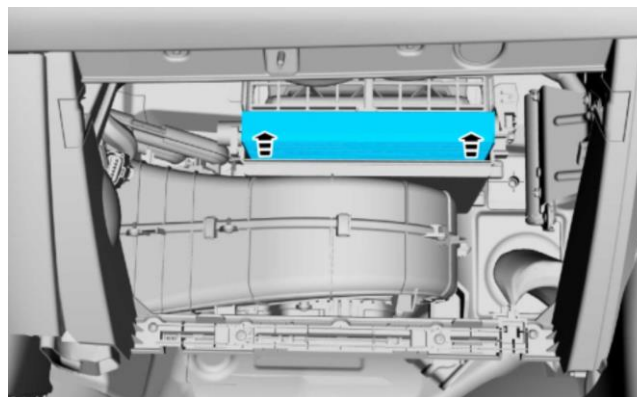


Figure 3

This is only a guide and may not be for exact model. See Owner's manual and/or local mechanic for exact instructions for the particular model.