

CABIN AIR FILTER – INSTALLATION INSTRUCTIONS

Part No.: **PC99458X** Est. Installation Time: **less than 15 mins**

BMW OE: 64 11 9 382 886

- Detach right footwell trim (3) inward from the guides (2) and unlock associated plug connections to remove right footwell trim (3) (Fig 1)
- Remove the air duct on the passenger's side by unclipping the air duct (1) downwards at an angle at the spring clamp (2) (Fig 2)
- Unclip the drainage hose (1) from the holder (2) and loosen screws (3) (Fig 3)
- Remove the cabin filter access door by disengaging the retaining lugs (1) on both sides of the door (Fig 3)
- Remove old filter from the unit, taking note the air flow arrow indicator on the side of the old filter (Fig 4)
- Install new filter
- Replace the rest of the glove box assembly by reversing the removal procedure

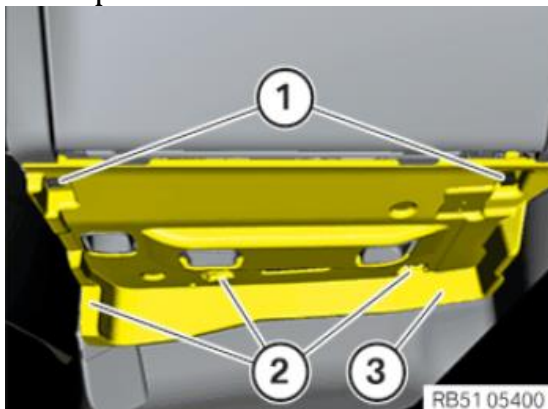


Fig 1

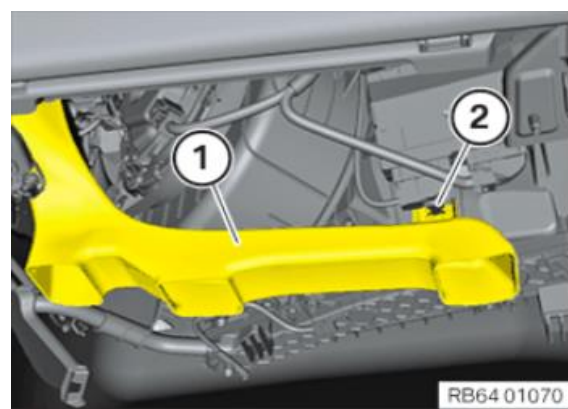


Fig 2

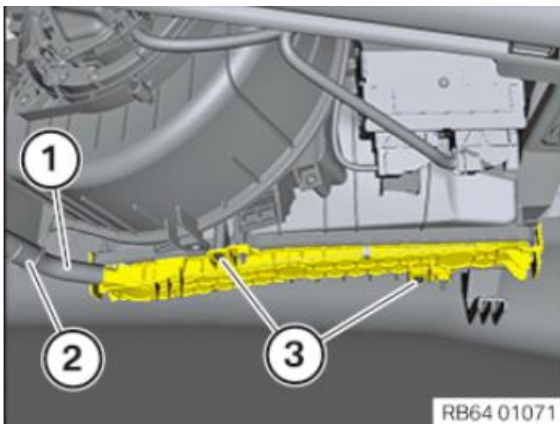


Fig 3

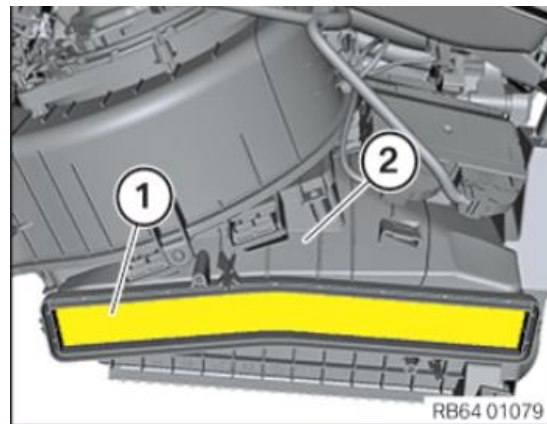


Fig 4

This is only a guide and may not be for exact model. See Owner's manual and/or local mechanic for exact instructions for the particular model.