

CABIN AIR FILTER – INSTALLATION INSTRUCTIONS

Part No.: **PC99454HX** Est. Installation Time: **less than 15 mins**

Jeep OE: 68301863AA

The Cabin air filter is located behind the glove compartment

- Open the glove compartment
- Disconnect the glove box damper (1) – (Fig 1)
- Push up on glove box stop (2) then rotate the glove box downward and remove. (Fig 1)
- Disengage the two retaining tabs that secure the air filter access door (1) to the HVAC housing (Fig 2)
- Open the air filter access door (Fig 3)
- Remove the old filter from the tray, taking note the air flow arrow indicator on the side of the old filter
- Insert the new filter into the tray, making sure it is seated and secure in the tray properly
- Replace the rest of the glove box assembly by reversing the removal procedure

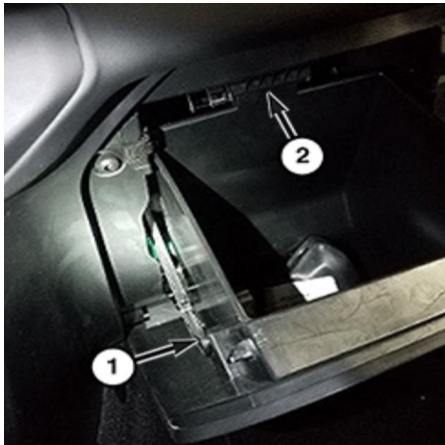


Fig 1

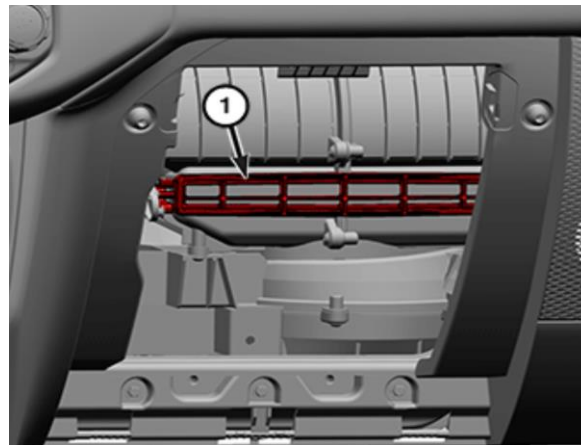


Fig 2

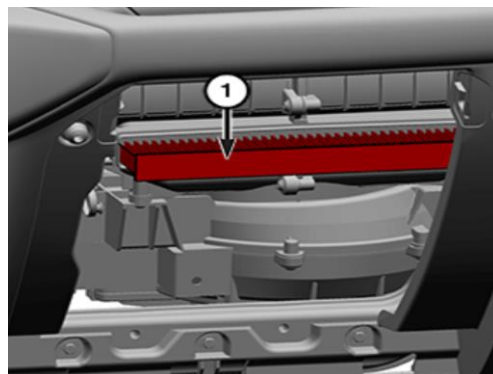


Fig 3

This is only a guide and may not be for exact model. See Owner's manual and/or local mechanic for exact instructions for the particular model.