

CABIN AIR FILTER – INSTALLATION INSTRUCTIONS

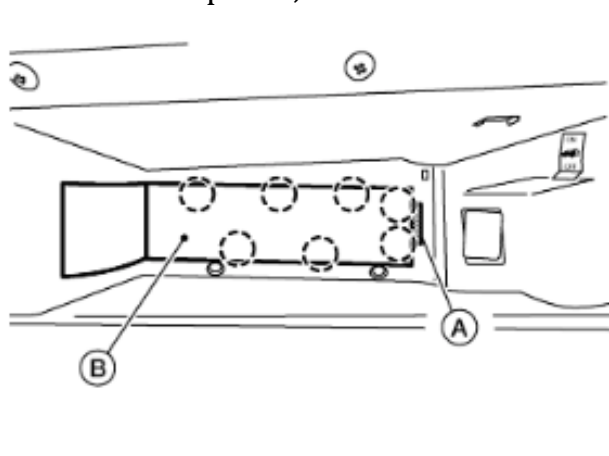
Part No.: **PC99452X**

Est. Installation Time: **less than 20 mins**

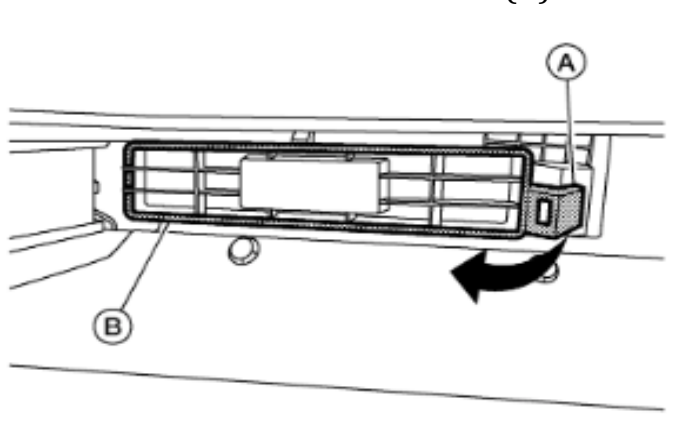
OE: 27277-5NA1A

The Cabin air filter is located behind the glove compartment

- Open glove box lid.
- Remove in-cabin microfilter access door using the following procedure:
 - Insert suitable tool into slot (A).
 - Release pawls, then remove in-cabin microfilter access door.



- Release in-cabin microfilter cover tab (A) in direction shown, then remove in cabin-microfilter cover (B)



- Slide the old Cabin air filter out of the housing
- Insert a new Cabin air filter into the housing, making sure it is seated properly and that the air flow direction is correct according to the arrow indicator
- Reinstall in reverse order

This is only a guide and may not be for exact model. See Owner's manual and/or local mechanic for exact instructions for the particular model.