

CABIN AIR FILTER – INSTALLATION INSTRUCTIONS

2013-2014 MUSTANG

Part No.: PC99415X

Est. Installation Time: less than 20 mins

FORD OE.: PF-72

- Remove the RH cowl vent screen.
- Using a suitable tool, detach the cabin air filter housing from the fresh air inlet duct. **{Fig 1}**
- Remove the cabin air filter housing. **{Fig 2}**
- Remove the cabin air filter.
- Take **note:** of the air flow arrow indicator on the side of the old filter.
- Insert the new filter into the housing making sure the air flow direction is correct.
- Replace removed parts by reversing the removal procedure.

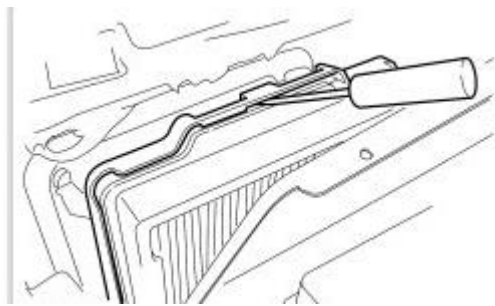


Figure 1

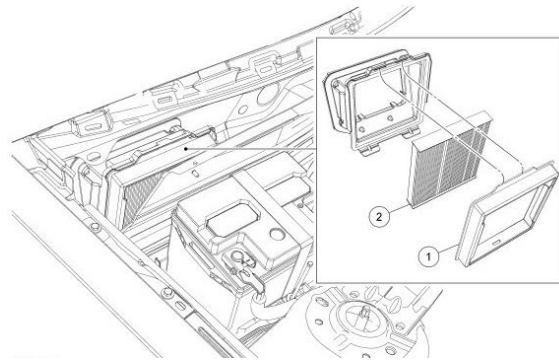


Figure 2

This is only a guide and may not be for exact model. See Owner's manual and/or local mechanic for exact instructions for the particular model.