

CABIN AIR FILTER – INSTALLATION INSTRUCTIONS

Part No.: PC99274X Est. Installation Time: less than 15 mins

OE: 4S0 819 439

The Cabin air filter is located behind the glove compartment

- Open the glove box
- Unclip the service cover -1- in the glove compartment by releasing the retainer -2-. **{Fig 1}**
- Release the tab -1-. **{Fig 2}**
- Pivot the cover -3- toward the rear and remove it.
- Pull the dust and pollen filter -4- out of the installation slot.
- Install new cabin air filter
- Re-install the removed components in reverse order of removal.

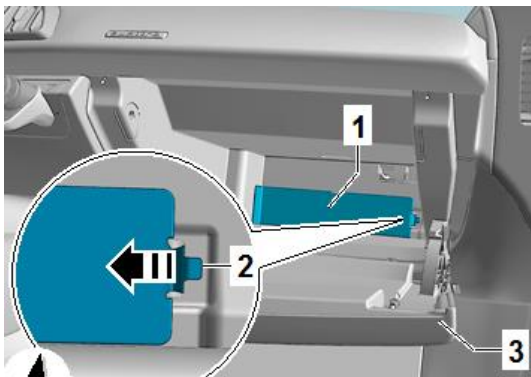


Fig 1

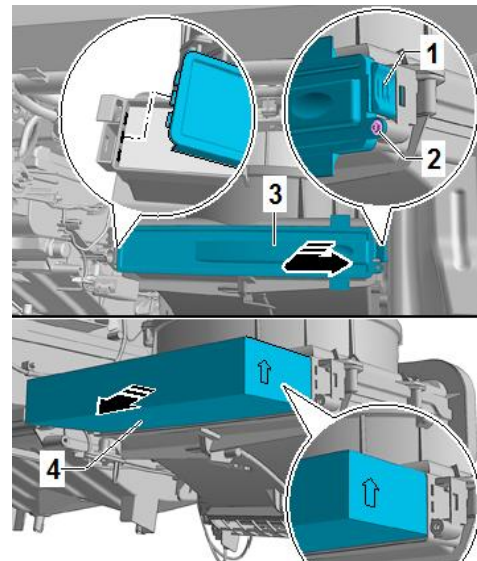


Fig 2

This is only a guide and may not be for exact model. See Owner's manual and/or technician for exact instructions for the particular model.