

# CABIN AIR FILTER – INSTALLATION INSTRUCTIONS

Part No.: PC99273X

Est. Installation Time: less than 15 mins

Hyundai & Kia OE: 97133-G2000

The Cabin air filter is located behind the glove compartment

- Open the glove box
- Remove the stoppers on both sides (Fig1)
- Pull the support strap and allow the glove compartment to swing freely down towards the floorboard on its bottom hinge. This will allow access to the cabin filter tray. (Fig 2)
- Locate the cabin filter plastic cover and unlock it by pressing inward on the left and right-side tabs and remove by pulling the tray straight out towards you (Fig 3)
- Remove the old cabin air filter, taking note the air flow arrow indicator on the side of the old filter (Fig 4)
- Insert the new filter into the assembly, making sure the air flow direction is correct according to the arrow indicator
- Replace the rest of the glove box assembly by reversing the removal procedure

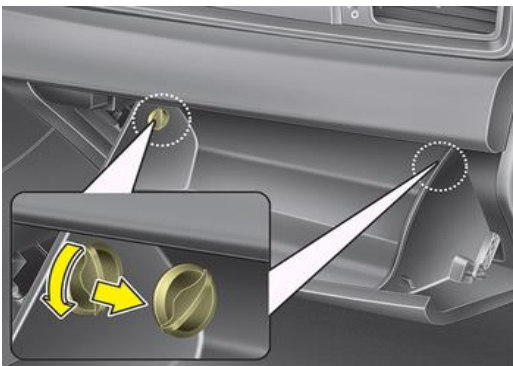


Figure 1

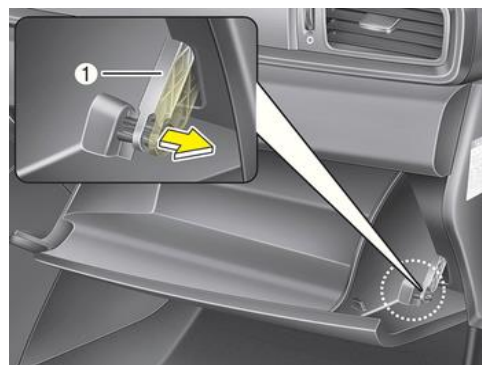


Figure 2

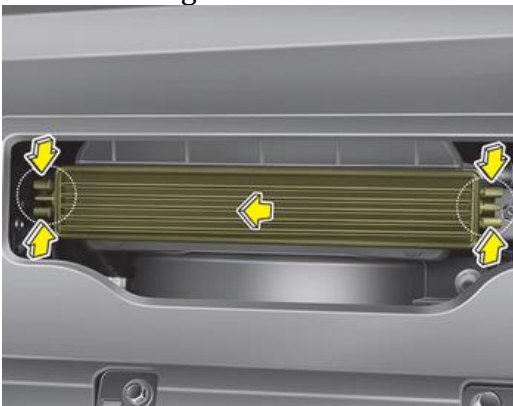


Figure 3



Figure 4

This is only a guide and may not be for exact model. See Owner's manual and/or local mechanic for exact instructions for the particular model.