

# CABIN AIR FILTER – INSTALLATION INSTRUCTIONS

Part No.: PC99271

Est. Installation Time: less than 20 mins

2017-2020 Acura NSX OE: Part no.: 80292-T6N-A01

The Cabin air filters are located behind the glove compartment

- **{Fig 1}** Remove Bottom right dashboard undercover.
- **{Fig 1}** Remove the clips (A)
- **{Fig 1}** Remove the passenger's dashboard undercover (B) from pins (C).
- **{Fig 2}** Disconnect the connectors (A). Remove the telematics control unit (B).
- **{Fig 3}** Remove bolts (A).
- **{Fig 4}** Remove screws (A).
- **{Fig 5}** Remove the glove box (A).
- **{Fig 5}** Disconnect the connectors (B) and remove the harness holder.
- Before disconnecting connectors, **Note:** their positions.
- **{Fig 6}** Remove 2 screws and 3 connectors.
- **{Fig 6}** Remove climate control unit.
- **{Fig 7}** Remove both cabin filter covers.
- **{Fig 7}** Install filters in air flow down position.
- **{Fig 7}** Install all parts in the reverse order of removal.



Figure 1



Figure 2

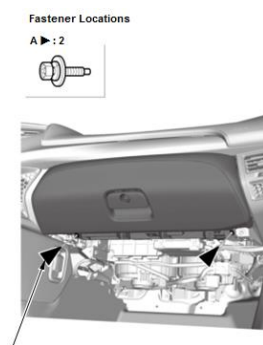


Figure 3

This is only a guide and may not be for exact model. See Owner's manual and/or local mechanic for exact instructions for the particular model.

# CABIN AIR FILTER – INSTALLATION INSTRUCTIONS

Part No.: PC99271

Est. Installation Time: less than 20 mins

2017-2020 Acura NSX OE: Part no.: 80292-T6N-A01



Figure 4

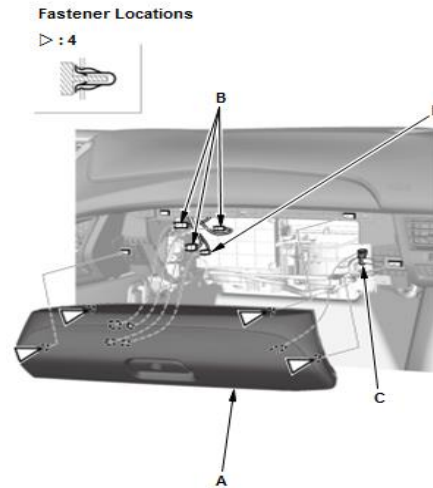


Figure 5

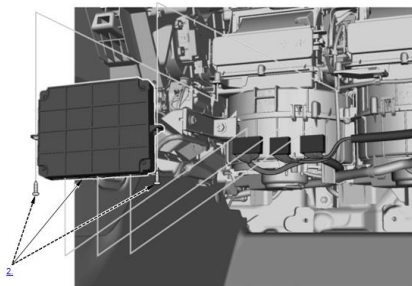


Figure 6

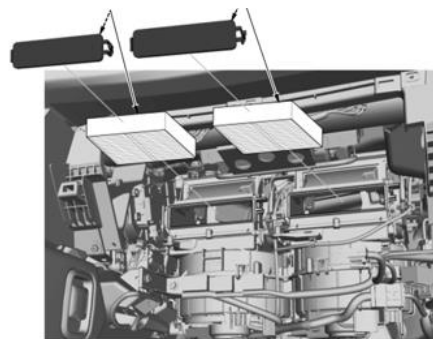


Figure 7

This is only a guide and may not be for exact model. See Owner's manual and/or local mechanic for exact instructions for the particular model.