

# CABIN AIR FILTER – INSTALLATION INSTRUCTIONS

Part No.: PC99266X Est. Installation Time: less than 15 mins

Toyota OE: 87139F4010

The Cabin air filter is located behind the glove compartment

- Open the glove box
- Disengage the claw to disconnect the glove compartment door stopper sub-assembly (Fig 1)
- Disengage the stoppers and pull out the glove compartment door assembly until it is level. (Fig 2)
- Disengage the claw and guides to remove the air filter cover plate (Fig 3)
- Remove the old filter from assembly, taking note the air flow arrow indicator on the side of the old filter (Fig 4)
- Insert new filter into the assembly, making sure the air flow direction is correct according to the arrow indicator
- Replace the rest of the glove box assembly by reversing the removal procedure

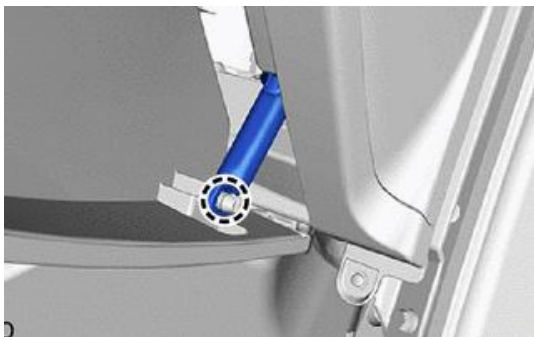


Fig 1

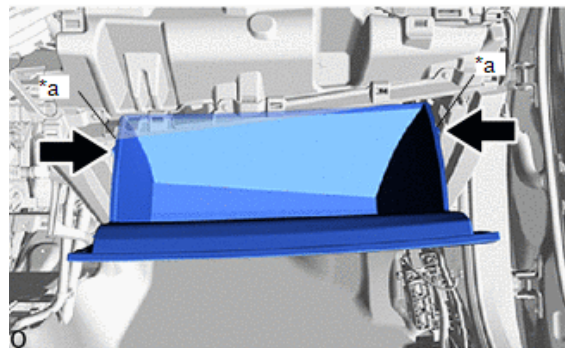


Fig 2

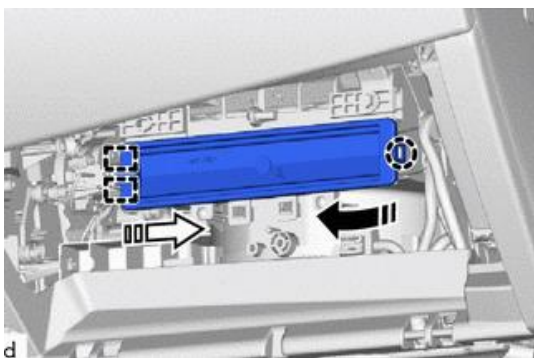


Fig 3

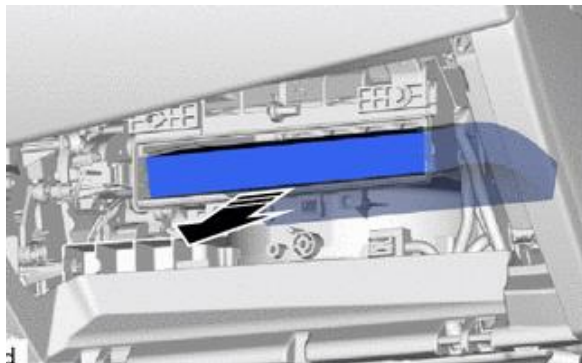


Fig 4

This is only a guide and may not be for exact model. See Owner's manual and/or local mechanic for exact instructions for the particular model.