

CABIN AIR FILTER – INSTALLATION INSTRUCTIONS

Part No.: PC99246X

Est. Installation Time: less than 20 mins

BMW OE: 64 31 9 346 267

The Cabin air filter is located under the glove compartment

- {Fig 1} Remove Bottom right instrument pane
- Unscrew the screws (1)
- Lower trim panel (2) slightly and disconnect the plug connections.
- Pull trim panel (2) rearward out of the guides (3) and remove.
- {Fig 2} Unlock the locks (1). Remove the lid (2) in arrow direction.
- {Fig 3} Pull the microfilter (1) downwards out of the filter housing (2)
- Take note the air flow arrow on the side of the old filter
- Insert the new filter into the assembly, making sure the air flow direction is correct according to the arrow indicator
- Replace removed parts by reversing the removal procedure

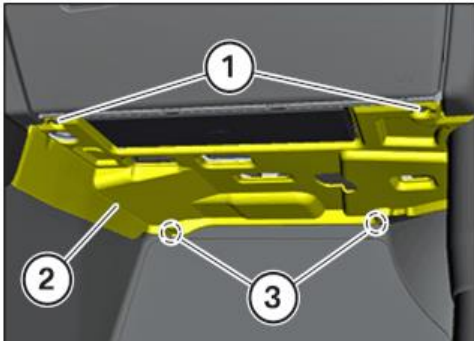


Figure 1

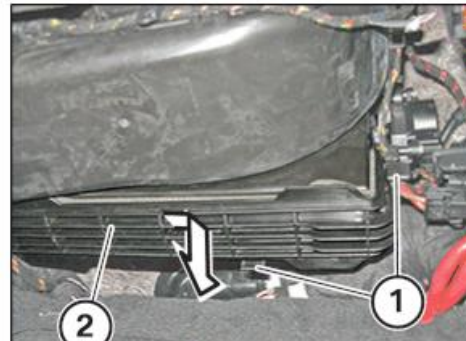


Figure 2

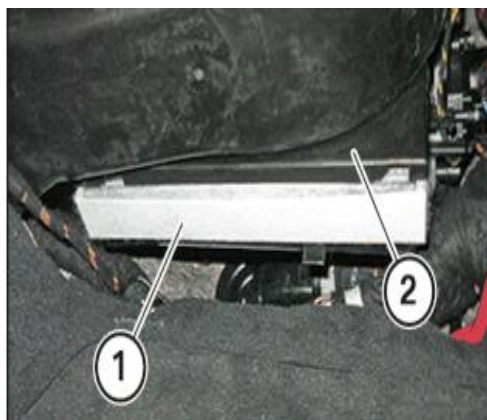


Figure 3

This is only a guide and may not be for exact model. See Owner's manual and/or local mechanic for exact instructions for the particular model.