

CABIN AIR FILTER – INSTALLATION INSTRUCTIONS

Part No.: **PC99238X**

Est. Installation Time: **less than 30 mins**

The Cabin air filter is located behind the glove compartment

- Remove the glove box
- Remove the five hush panel fasteners (2) and remove the hush panel (1).
- Disengage the two retaining tabs (1) that secure the cabin air filter cover (2) to the passenger side of the HVAC air distribution housing and remove the cover.
- Remove the cabin air filter (1) from the air distribution housing (2) by pulling the filter element straight out of the housing.
- Install the cabin air filter (1) into the filter opening in the HVAC air distribution housing (2). Insert the cabin air filter directly into the housing with the arrow on the filter pointing to the floor.

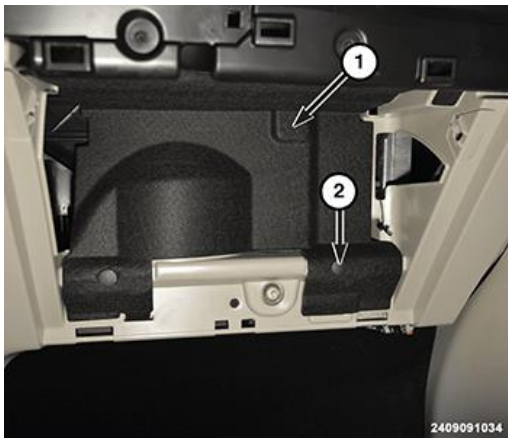


Figure 1

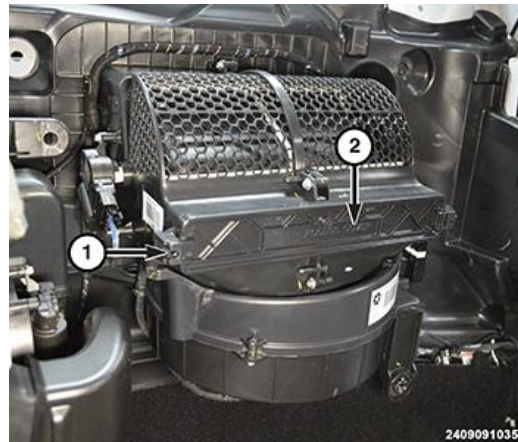


Figure 2

This is only a guide and may not be for exact model. See Owner's manual and/or local mechanic for exact instructions for the particular model.

CABIN AIR FILTER – INSTALLATION INSTRUCTIONS

Part No.: **PC99238X**

Est. Installation Time: **less than 30 mins**

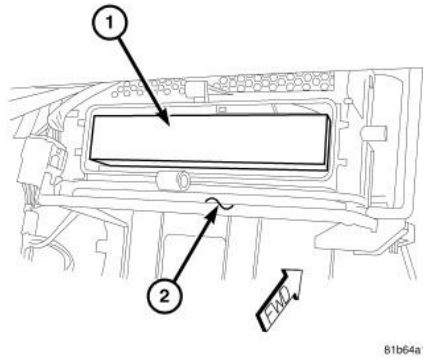


Figure 3

This is only a guide and may not be for exact model. See Owner's manual and/or local mechanic for exact instructions for the particular model.