

# CABIN AIR FILTER – INSTALLATION INSTRUCTIONS

Part No.: **PC99206X**

Est. Installation Time: **less than 15 mins**

The Cabin air filter is located behind the glove compartment

- Open the glove box
- Remove the stopper (B) from the glove box (A) (Fig 1)
- Remove the dampener rod (A) by slightly closing the glove box while pulling the arm slightly forward (Fig 2)
- Remove the filter cover (A) by pressing the knob (fig 3)
- Remove the old cabin air filter, taking note the air flow arrow indicator on the side of the old filter (fig 4)
- Insert the new filter
- Install in the reverse order of removal

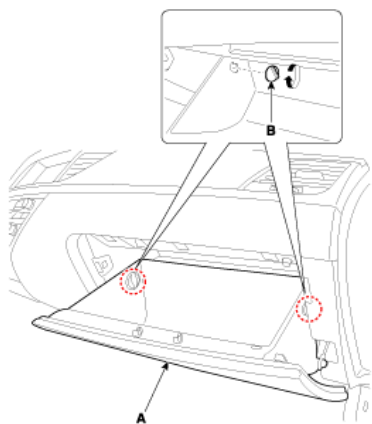


Figure 1

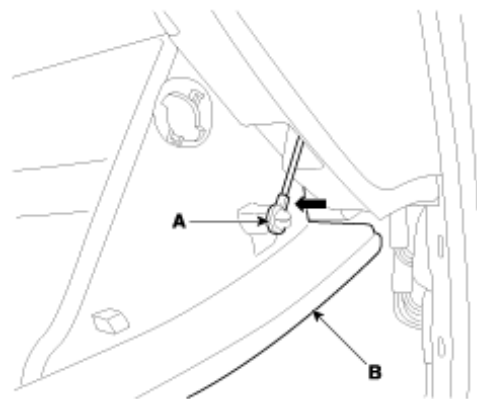


Figure 2

This is only a guide and may not be for exact model. See Owner's manual and/or local mechanic for exact instructions for the particular model.

# CABIN AIR FILTER – INSTALLATION INSTRUCTIONS

Part No.: **PC99206X**

Est. Installation Time: **less than 15 mins**



This is only a guide and may not be for exact model. See Owner's manual and/or local mechanic for exact instructions for the particular model.