

CABIN AIR FILTER – INSTALLATION INSTRUCTIONS

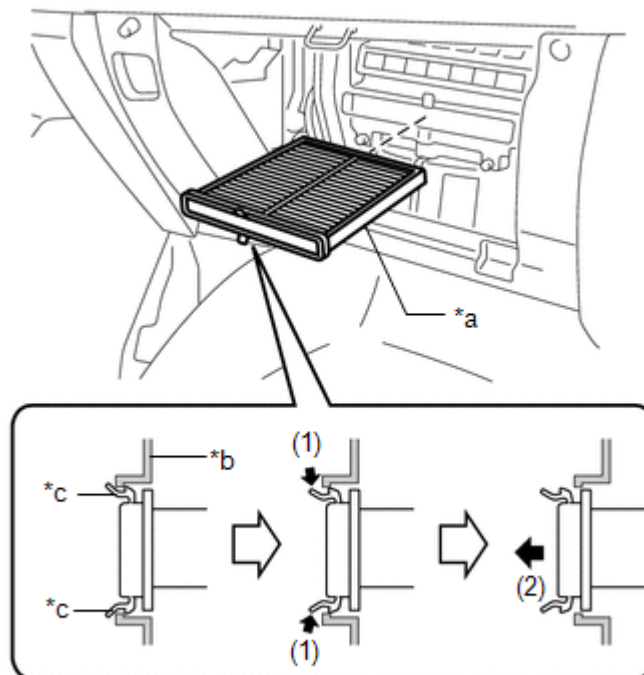
Part No.: **PC99195X**

Est. Installation Time: **less than 10 mins**

Toyota OE: 87139WB001, Mazda OE: D09W61J6X

The Cabin air filter is located behind the glove compartment

- Lower the glove compartment
- Press the tabs on the bottom of the cabin filter and pull straight out
- Remove the old cabin air filter, taking note the air flow arrow indicator on the side of the old filter
- Insert the new filter into the assembly, making sure the air flow direction is correct according to the arrow indicator
- Replace the rest of the glove box assembly by reversing the removal procedure



This is only a guide and may not be for exact model. See Owner's manual and/or local mechanic for exact instructions for the particular model.