

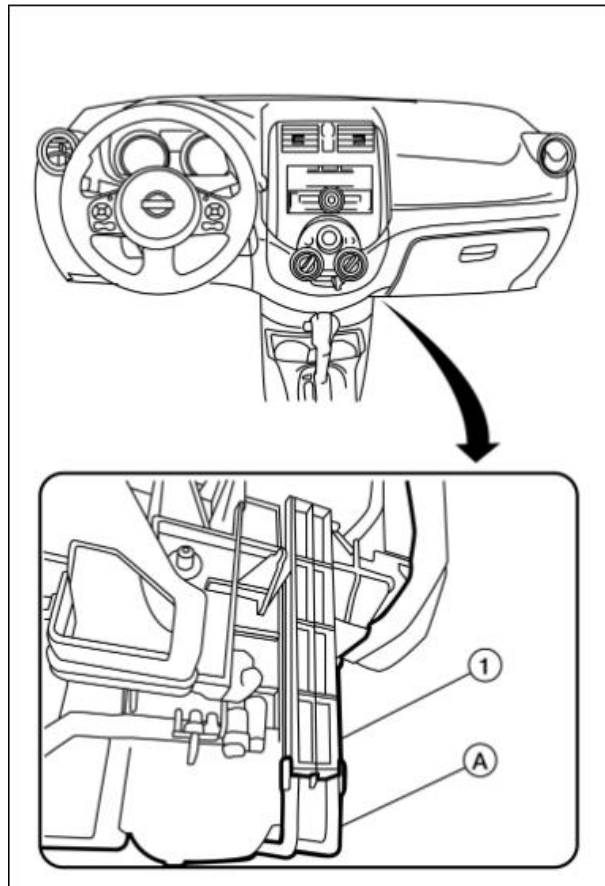
CABIN AIR FILTER – INSTALLATION INSTRUCTIONS

Part No.: **PC99157X**

Est. Installation Time: **less than 15 mins**

Nissan OE: 27278-1KK0A

- Release the tab (A) and remove the in-cabin microfilter cover (1) from under the RH side of the instrument panel
- Remove the old filter, taking note the air flow arrow indicator on the side of the old filter
- Insert the new filter, making sure it is seated and secure in the tray properly and that the air flow direction is correct according to the arrow indicator
- Replace the rest of the glove box assembly by reversing the removal procedure



This is only a guide and may not be for exact model. See Owner's manual and/or local mechanic for exact instructions for the particular model.