

CABIN AIR FILTER – INSTALLATION INSTRUCTIONS

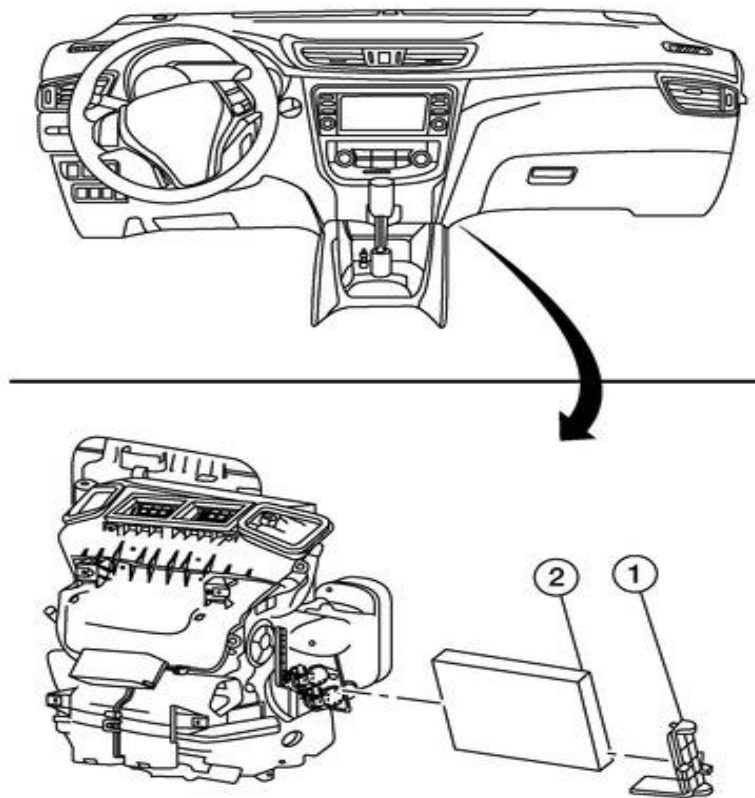
Part No.: PC99052X

Est. Installation Time: less than 20 mins

Nissan OE: 272774BU0A

The Cabin air filter is located behind the glove compartment; behind an access door on the passenger side of the vehicle

- Remove center console side finisher
- Release the tab and remove the in-cabin microfilter cover (1) from under the RH side of the instrument panel
- Remove the old cabin air filter, taking note the air flow arrow indicator on the side of the old filter
- Insert the new filter into the assembly, making sure the air flow direction is correct according to the arrow indicator
- Install in the reverse order of removal.



This is only a guide and may not be for exact model. See Owner's manual and/or local mechanic for exact instructions for the particular model.