

# CABIN AIR FILTER – INSTALLATION INSTRUCTIONS

Part No.: PC99009X

Est. Installation Time: less than 20 mins

**KIA OE: 3TF79AQ000,3TC79AC000,3T097ADU00**

The Cabin air filter is located behind the glove compartment

- Open the glove box
- Remove the dampener rod by slightly closing the glove box while pulling the arm slightly forward (Fig 1)
- Press the both sides of the glove box to release the stoppers and allow the glove box to hang freely on the hinges (Fig 2)
- Unclip the cabin filter access door (Fig 3)
- Remove the old cabin air filter, taking note the air flow arrow indicator on the side of the old filter (Fig 4)
- Insert the new filter into the assembly, making sure the air flow direction is correct according to the arrow indicator
- Replace the rest of the glove box assembly by reversing the removal procedure

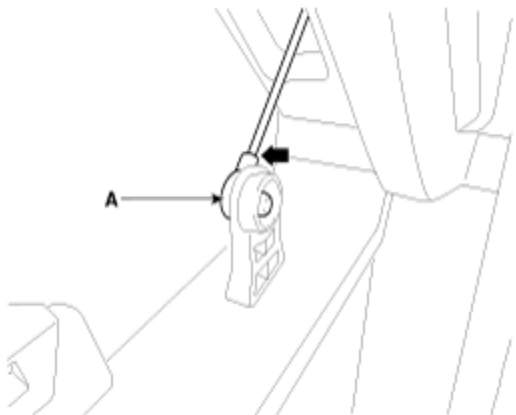


Figure 1

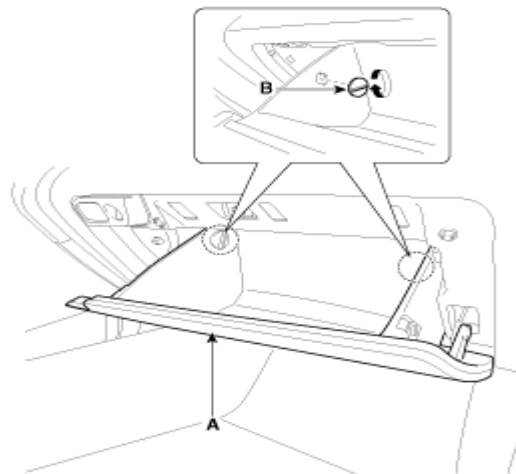


Figure 2



Figure 3



Figure 4

This is only a guide and may not be for exact model. See Owner's manual and/or local mechanic for exact instructions for the particular model.