

CABIN AIR FILTER – INSTALLATION INSTRUCTIONS

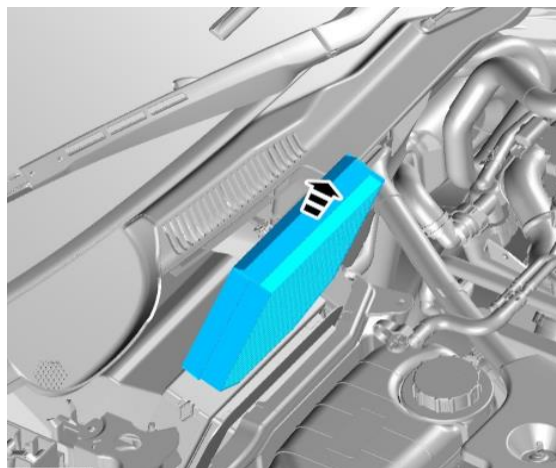
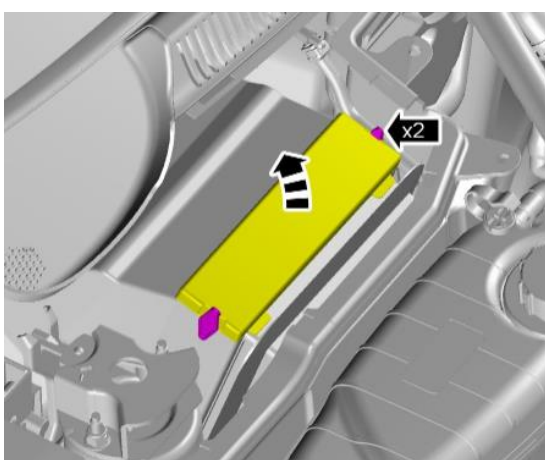
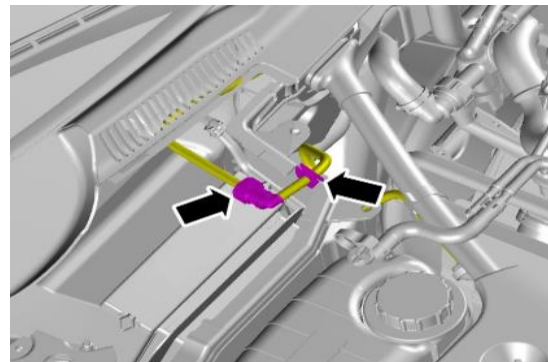
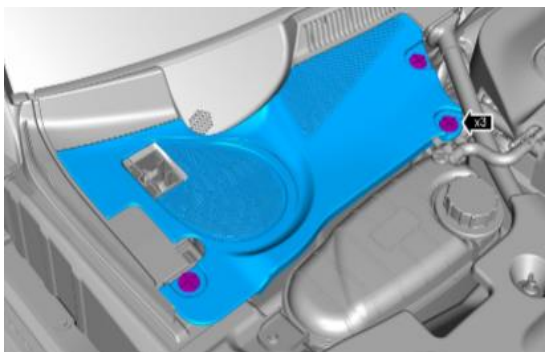
Part No.: PC9381X

Est. Installation Time: less than 15 mins

Jaguar OE: C2P2410

The Cabin air filter is located under the hood in the cowl

- Open hood
- Remove cowl section
- Locate the cabin filter plastic cover and unlock it by pressing inward on the left and right-side tabs and remove by pulling the tray straight out towards you
- Remove the old cabin air filter, taking note the air flow arrow indicator on the side of the old filter
- Insert the new filter into the assembly
- Reinstall in reverse order



This is only a guide and may not be for exact model. See Owner's manual and/or local mechanic for exact instructions for the particular model.