

CABIN AIR FILTER – INSTALLATION INSTRUCTIONS

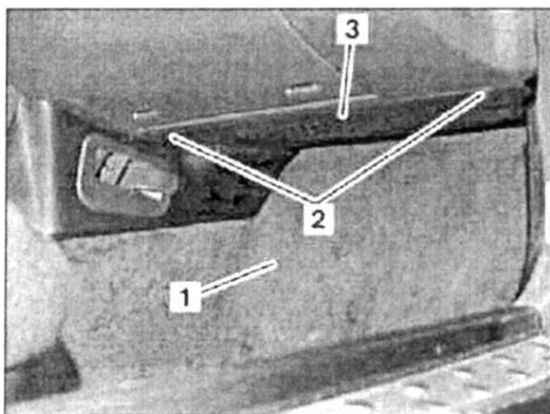
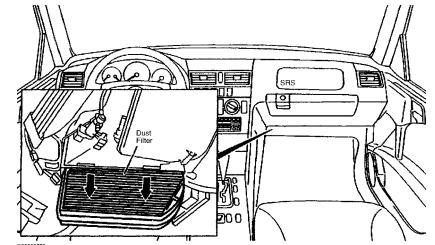
Part No.: **PC8908X**

Est. Installation Time: **less than 30 min.**

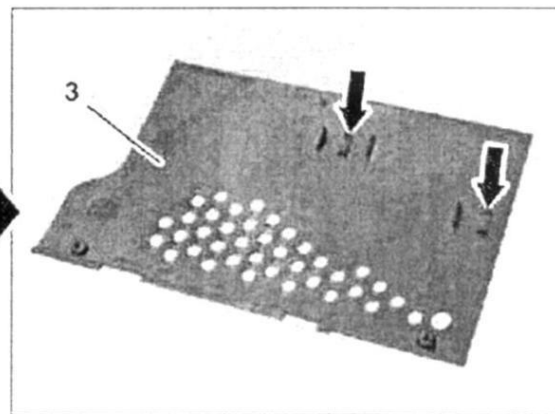
Chrysler Crossfire (2004-08); Mercedes-Benz C Class (1994-00), CLK , SLK Series (1998-04)

The cabin air filter is located below the glove box, under the instrument panel.

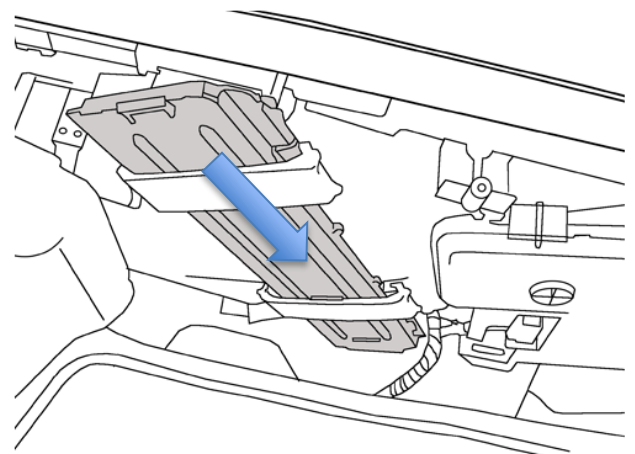
1. Cabin filter location →
2. Fold back carpeting (1) under right side of instrument panel. Remove screws (2) and pull cover (3) out toward rear – see below



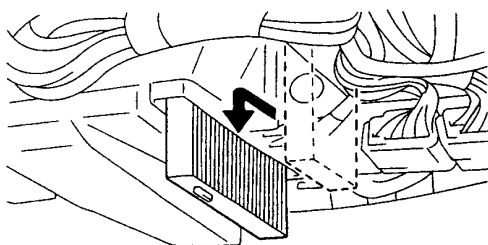
G00218948



3. Remove filter housing cover from under right side of instrument panel. Slid retaining clips in direction of arrows. See →
4. Pull the old filter down (it is recommended to cover the floor)
5. Insert the new filter with retaining tabs facing right
6. Reverses the above steps to conclude the installation



G00461802



G00206771