

CABIN AIR FILTER – INSTALLATION INSTRUCTIONS

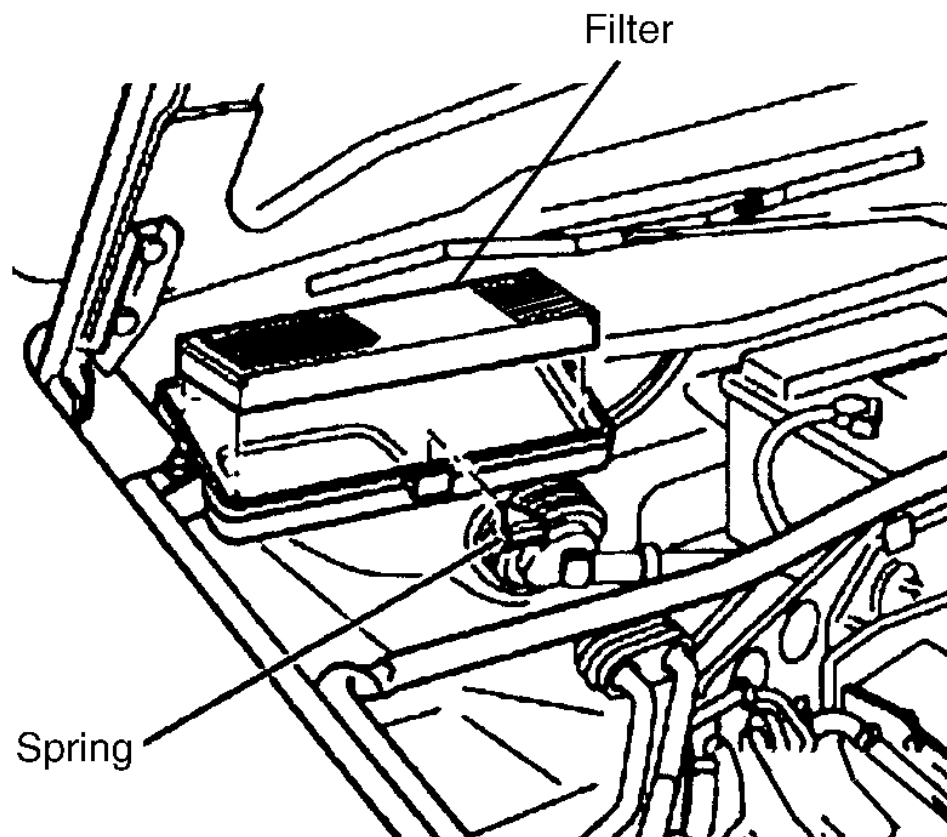
Part No.: **PC8906X**

Est. Installation Time: **less than 10 min.**

Audi 90 (94-95), A4 (1996-02), S4 (00-01); Volkswagen Passat (1998-01) OEM No. 8A0819439A

The cabin air filter is located under the cowl cover panel, on the passenger side.

1. Open the hood.
2. Locate the filter housing cover on passenger side. Remove the screw securing the cover and remove the cover by pulling it out toward the front of the vehicle.
3. Pull the old filter out and clean the housing
4. Install the new filter with the air flow arrow pointing down
5. Install the filter housing cover and secure it with the screw
6. Close the hood



G00213209