

# CABIN AIR FILTER – INSTALLATION INSTRUCTIONS

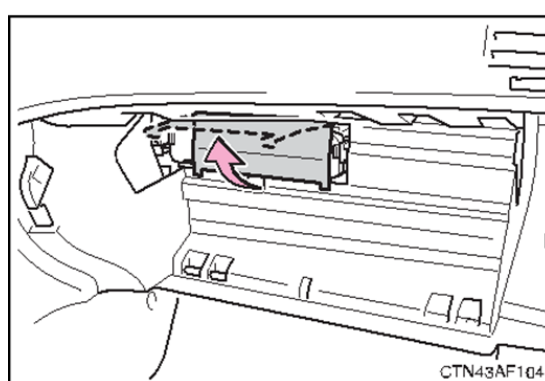
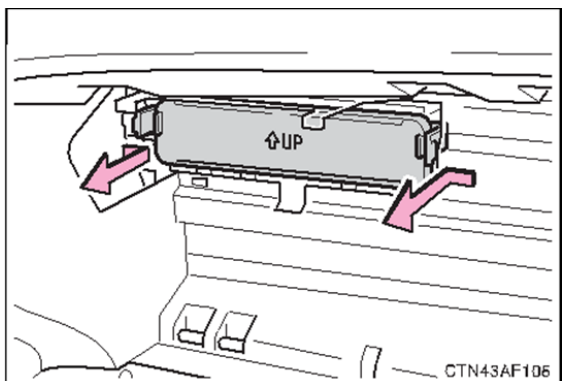
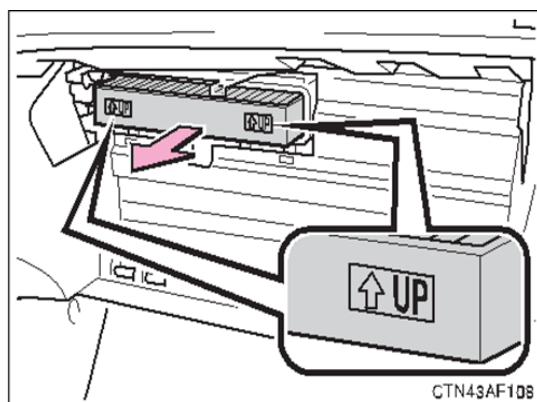
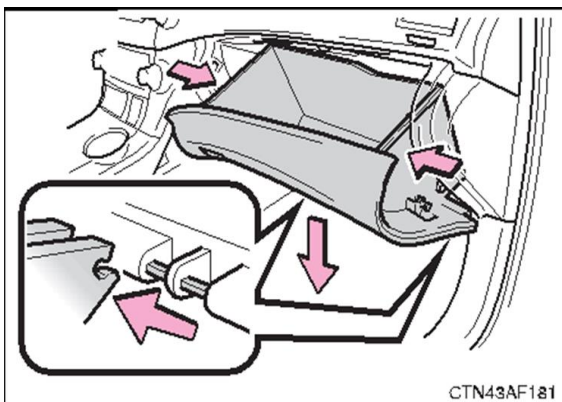
Part No.: PC8222X

Est. Installation Time: less than 20 mins

Toyota OE: 8713948020-83, 8713948020, 8850848020

The Cabin air filter is located behind the glove compartment

- Open the glove box
- Remove the stoppers on both sides to allow the glove box to hang freely on the hinges
- Remove the filter housing cover (some models have latches on the sides, these should be pushed up and pulled out)
- Pull the filter frame out from the housing.
- Remove the old cabin air filter, taking note the air flow arrow indicator on the side of the old filter
- Insert the new filter into the assembly, making sure the air flow direction is correct according to the arrow indicator
- Replace the rest of the glove box assembly by reversing the removal procedure



This is only a guide and may not be for exact model. See Owner's manual and/or local mechanic for exact instructions for the particular model.