

CABIN AIR FILTER – INSTALLATION INSTRUCTIONS

Part No.: PC8155X Est. Installation Time: less than 20 mins

Ford OE: FR3Z19N619A

The Cabin air filter is located behind the glove compartment

- Remove the instrument panel insulator from beneath the glove compartment
- Remove the retainers and the RH lower instrument panel insulator (fig 1)
- Remove the retainer and the cabin air filter cover (Fig 2)
- Remove the old cabin air filter, taking note the air flow arrow indicator on the side of the old filter (Fig 3)
- Insert the new filter into the assembly, making sure the air flow direction is correct according to the arrow indicator
- To install, reverse the removal procedure.

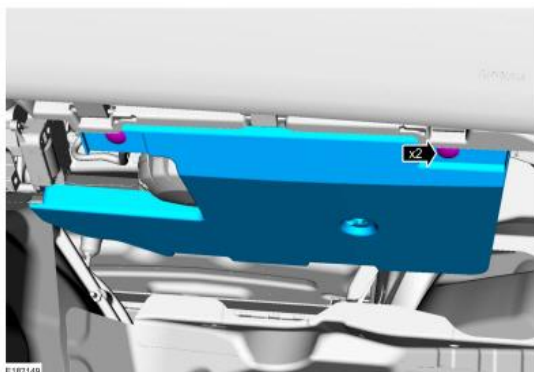


Figure 1

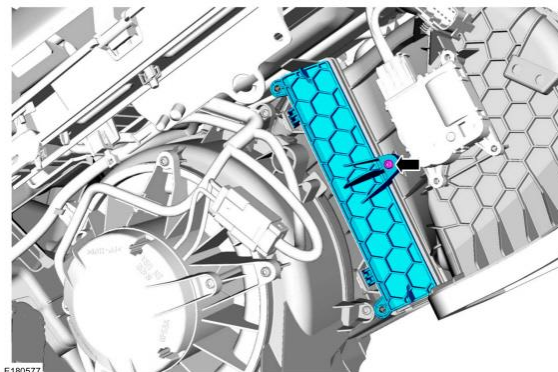


Figure 2

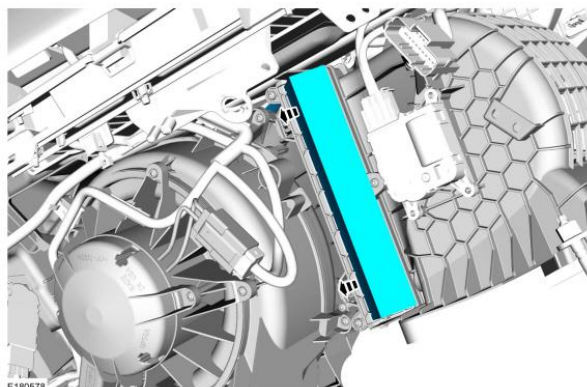


Figure 3

This is only a guide and may not be for exact model. See Owner's manual and/or local mechanic for exact instructions for the particular model.