

CABIN AIR FILTER – INSTALLATION INSTRUCTIONS

Part No.: PC6174X

Est. Installation Time: less than 20 mins

Ford OE: CV6Z19N619A

The Cabin air filter is located under the glove box on the right side of the middle console

- Remove the cover by squeezing the sides of the two screw clips
- Remove the two screw caps from the bottom panel and pull down on the panel to remove it (Fig 1)
- Remove cabin air filter access cover screw then squeeze the side tabs together to remove the cover (Fig 2)
- Remove the old cabin air filter, taking note the air flow arrow indicator on the side of the old filter (Fig 3)
- Insert the new filter into the assembly, making sure the air flow direction is correct according to the arrow indicator
- Replace the rest of the glove box assembly by reversing the removal procedure

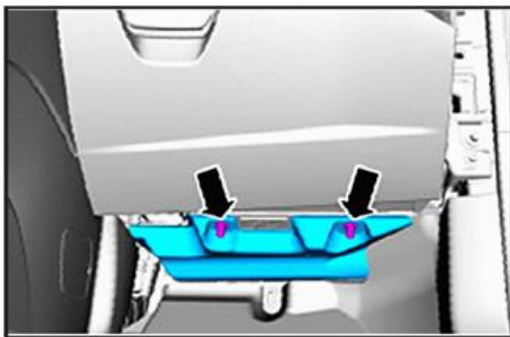


Figure 1

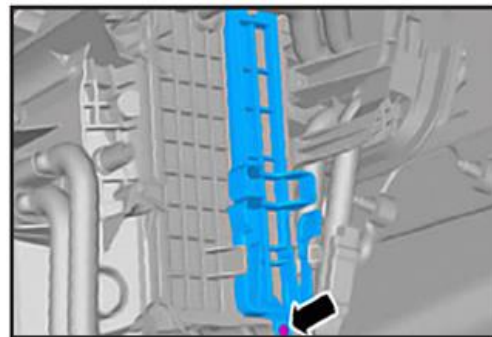


Figure 2

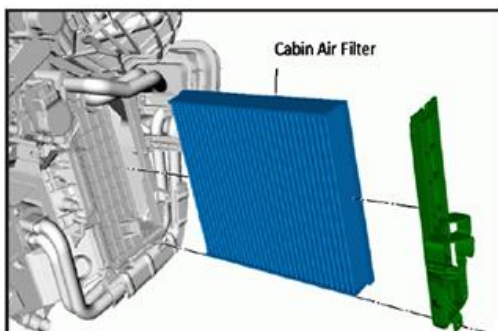


Figure 3

This is only a guide and may not be for exact model. See Owner's manual and/or local mechanic for exact instructions for the particular model.