

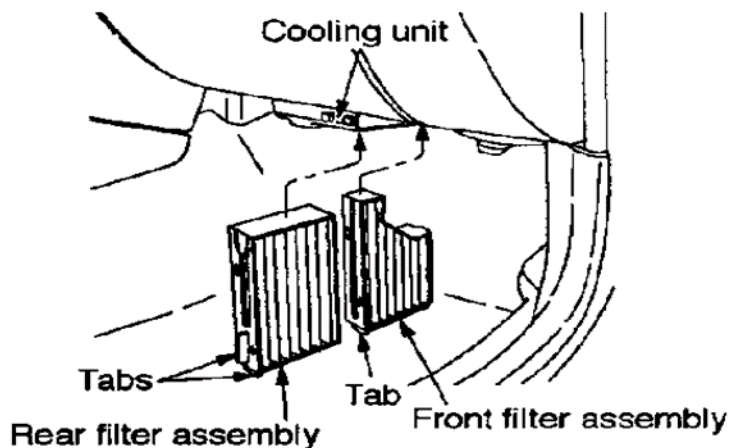
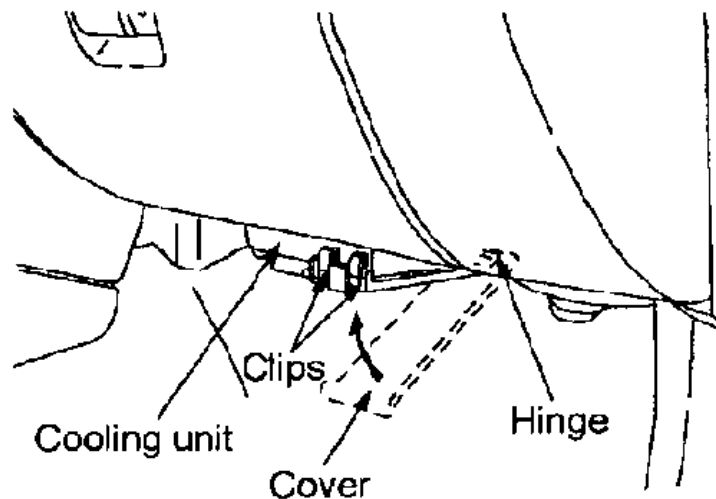
CABIN AIR FILTER – INSTALLATION INSTRUCTIONS

Part No.: PC6111X

Est. Installation Time: less than 20 mins

Subaru OE: G3210 FC200

- Remove the filter cover from the cooling unit by removing the two (2) clips with a blade screwdriver and unhooking the hinge. The screwdriver must be inserted into the top of the clip. Do not pry the middle on the clip.
- Remove the old filter, taking note the air flow arrow indicator on the side of the old filter
- Insert the front filter assembly in the cooling unit, then install the rear filter assembly
- Reinstall the cover and secure it using the clips.
- Replace the rest of the glove box assembly by reversing the removal procedure



This is only a guide and may not be for exact model. See Owner's manual and/or local mechanic for exact instructions for the particular model.