

CABIN AIR FILTER – INSTALLATION INSTRUCTIONS

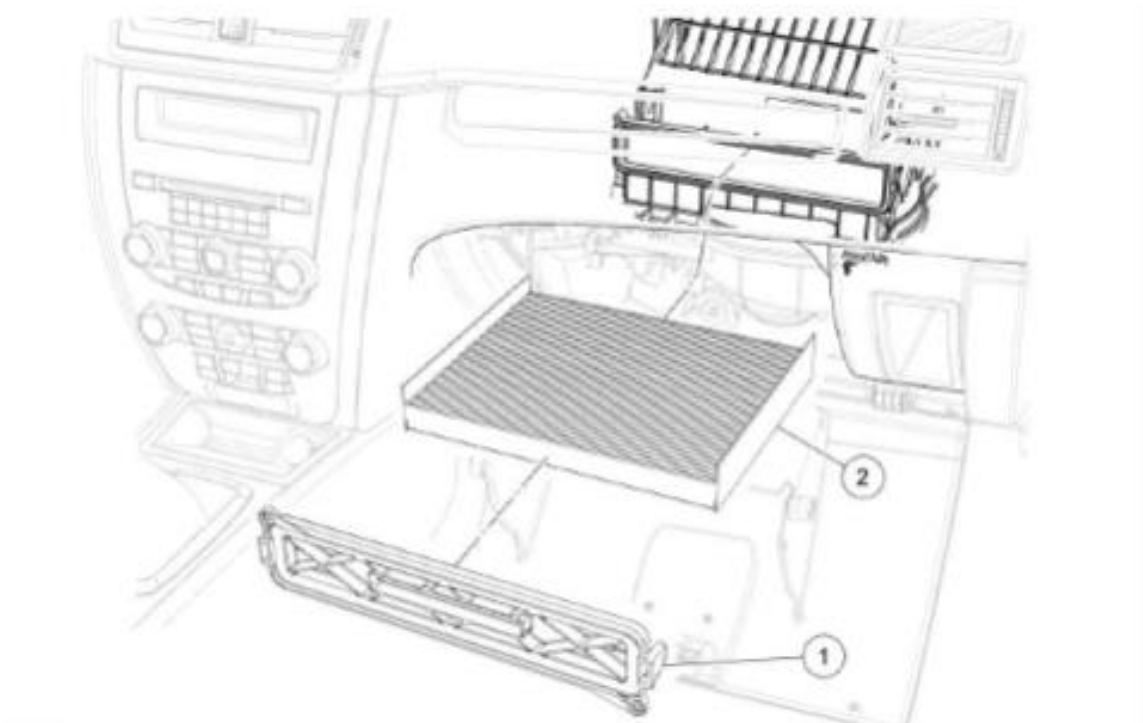
Part No.: **PC6099X**

Est. Installation Time: **less than 15 mins**

Ford OE: AE5Z-19N619A

The Cabin air filter is located behind the glove compartment

- Locate and remove the two screws holding up the plastic cover in front of the filter access door
- Open the glove box
- Release the dampener cord for the right side of the box
- Press inward on both sides of the glove box to release the stoppers
- Allow the glove box to hang down to expose the filter housing access door
- Release the latches on the sides of housing door
- Pull the old filter out and clean the housing
- Insert the new filter into the housing with the air flow arrows pointing down
- Close the filter-housing door and snap the two latches on the side.
- Re-clip the dampener cord to the right side of the glove box
- Close the glove box, press inward on the sides to re-engage the stoppers



This is only a guide and may not be for exact model. See Owner's manual and/or local mechanic for exact instructions for the particular model.