

CABIN AIR FILTER – INSTALLATION INSTRUCTIONS

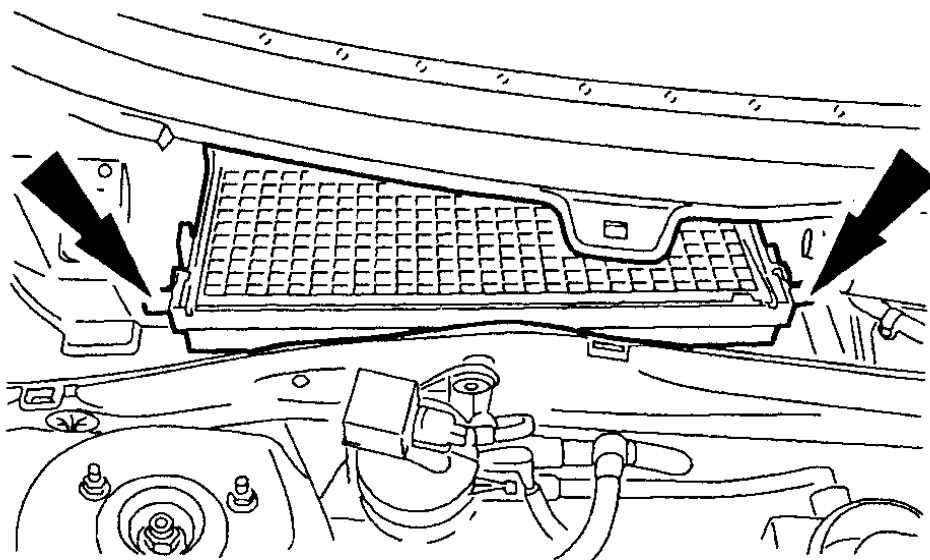
Part No.: **PC6091X**

Est. Installation Time: **less than 15 min.**

Chevrolet Caprice (2011-15), SS (2014-15) Pontiac G8 (2008-09)

Cabin air filter located under the cowl grill on the passenger side

1. Place windshield wipers in a vertical position.
2. Open hood.
3. Remove the fasteners securing half of the cowl cover on the passenger side – total of 7, (use flat screw driver)
4. Remove the rubber weather strip (trim)
5. Left the front end of the passenger side half of the cowl grill.
6. Remove the old filter from the housing (some models do not have cabin filter pre-installed by the manufacturer, instead there would be a gridded-plastic-tray, which you can remove and discarded).
7. Some models have front housing cover, which can be unlatched and open to remove the old filter
8. Insert the new filter with the side flaps folded up.
9. Return the cowl grill and make sure it is latched properly
10. Close the hood and return the wiper arms to parking position



G00214532