

CABIN AIR FILTER – INSTALLATION INSTRUCTIONS

Part No.: PC5864X

Est. Installation Time: less than 30 mins

Nissan OE: 27277-VS00A, 27277-JM01A

The Cabin air filter is located on the driver side to the right of the gas pedal under the instrument panel

- Open the driver side door
- Remove the driver's side kick panel by simply pulling the bottom edge toward you which will release the clip securing it to gain access to the filter housing.
- Remove the filter housing cover by pulling down on the latch at the bottom (Fig 1)
- Remove the old cabin air filter, taking note the air flow arrow indicator on the side of the old filter
- Insert the new filter into the assembly, making sure the air flow direction is correct according to the arrow indicator
- Replace the rest of the glove box assembly by reversing the removal procedure

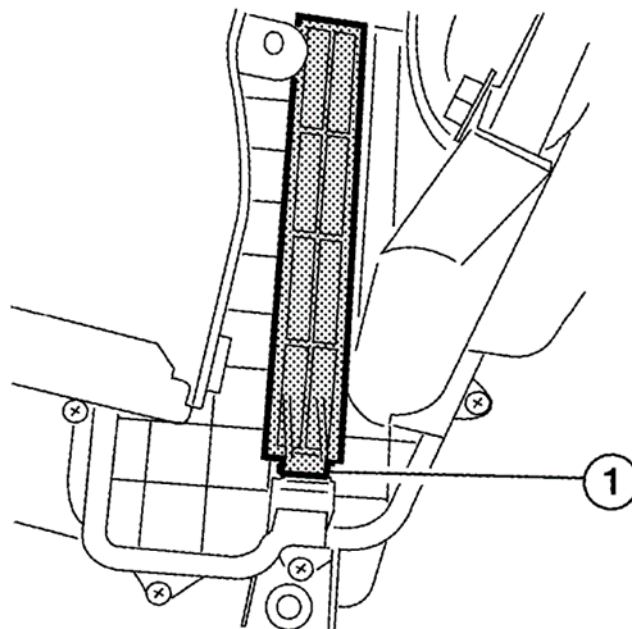


Figure 1

This is only a guide and may not be for exact model. See Owner's manual and/or local mechanic for exact instructions for the particular model.