

CABIN AIR FILTER – INSTALLATION INSTRUCTIONS

Part No.: PC5764X

Est. Installation Time: less than 15 mins

Nissan OE: 999M1-VR056; Suzuki OE: 9586082Z02

The Cabin air filters is located behind the glove compartment

- Open the glove box
- Press inward on the sides so that it opens completely, allowing it to hang by the cord
- Unclip the light wire from the back of the glove box and allow the box to swing all the way down
- The filter housing is located on the right side – (Fig. 1)
- Using 10mm wrench, Loosen the bolt that secures the filter housing cover. Unscrew and remove the bolt with your fingers and remove the housing cover (Fig 2)
- Pull the 1st filter out. Slid the 2nd filter to the left and pull it out. Clean the housing
- housing
- With the air flow arrows should point downward, Insert the first new filter into the front heater and cooling unit assembly housing and slide it over to the right.
- Insert the second new filter into the housing (arrows pointing down).
- Install the housing cover and secure it with the bolt
- Replace the rest of the glove box assembly by reversing the removal procedure

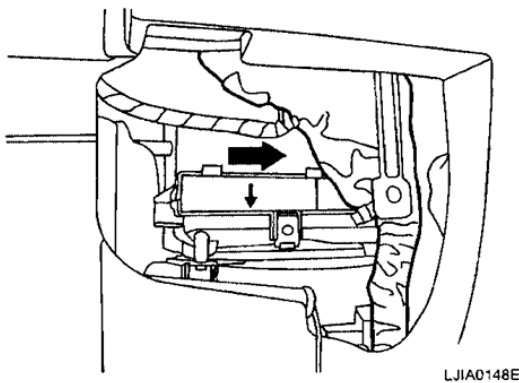


Figure 1

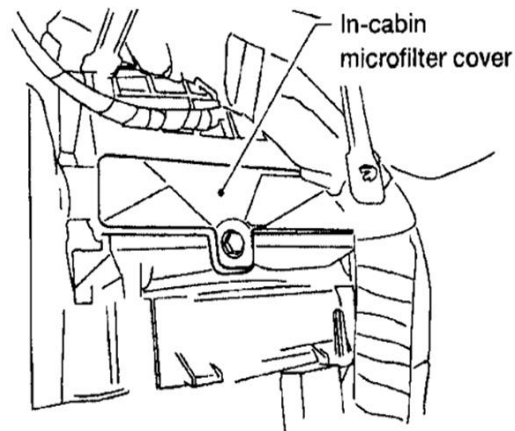


Figure 2

This is only a guide and may not be for exact model. See Owner's manual and/or local mechanic for exact instructions for the particular model.