

# CABIN AIR FILTER – INSTALLATION INSTRUCTIONS

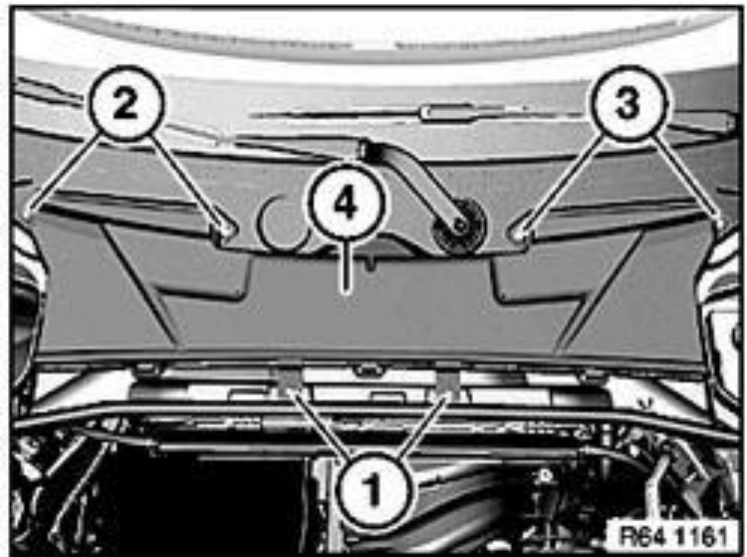
Part No.: PC5624X

Est. Installation Time: **less than 15 min.**

BMW 128i, 135i (08-13), 323i (06-10) BMW 328i, 328xi (07-12), 335i, 335xi (06-12), 335d (09-12), X1 (12-14)

The cabin air filter is located under the cowl cover panel in the center of the windshield.

1. Open the hood
2. Release screws (1). See →
3. Unfasten screws (2 and 3).
4. Remove filter housing cover. The filter is attached the housing cover
5. Disengage the fasteners on the side of the housing cover



000485584

6. Pull the old filter out
7. Clean the housing
8. Attached the new filter to the housing cover. Make sure the new filter is correctly seated. Tighten the fasteners
9. Revers the Steps 4-1 to conclude the installation

This is only a guide and may not be for exact model. See Owner's manual and/or local mechanic for exact instructions for the particular model.