

# CABIN AIR FILTER – INSTALLATION INSTRUCTIONS

Part No.: **PC5542X**

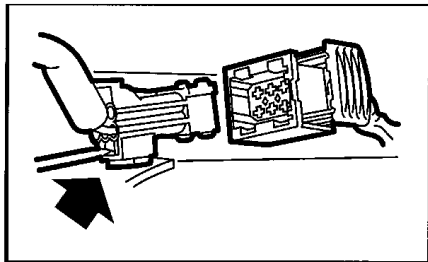
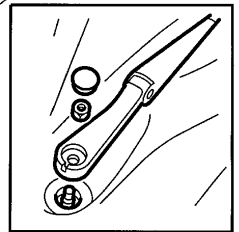
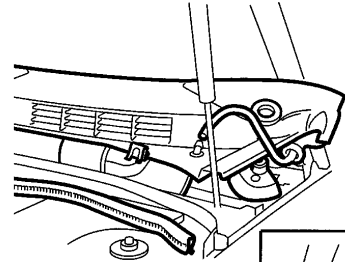
Est. Installation Time: **less than 45 min.**

Saab 900 (1994-98), 9-3 (1999-03)

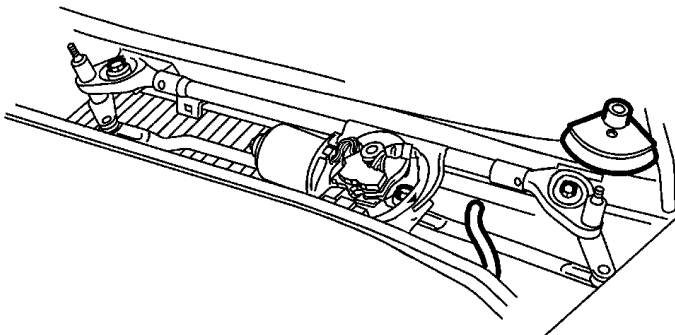
OEM No. 4632493

The cabin air filter is located under the cowl cover panel, on the passenger side.

1. Remove the wiper arms. See →
2. Remove the cover from the bulkhead partition space. See .
3. Remove the water guard.
4. Remove the wiper assembly. See .

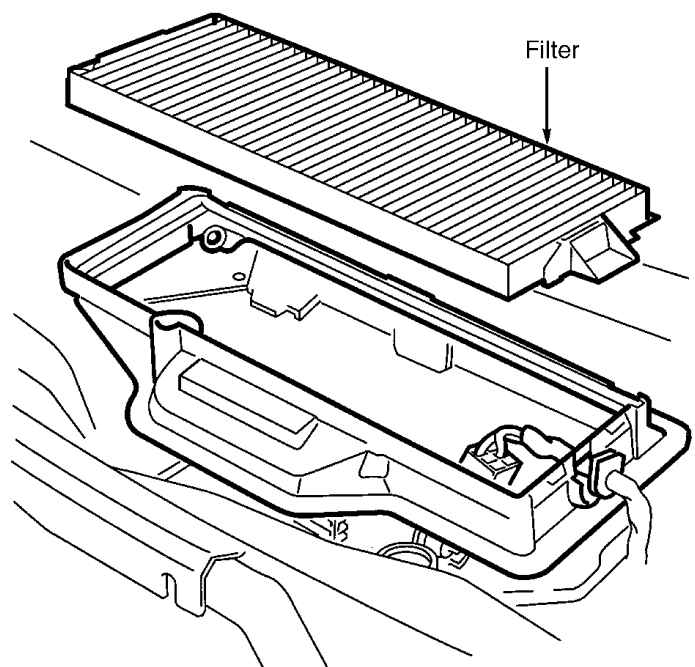


G00214570



G00214572

5. Remove old filter, clean the housing
6. Insert new filter



G00214571