

CABIN AIR FILTER – INSTALLATION INSTRUCTIONS

Part No.: **PC5530X**

Est. Installation Time: **less than 15 mins**

Infiniti OE: 27277-VP01A; Mitsubishi OE: 7803A004, 7803A109

The Cabin air filter is located behind the glove compartment

- Open the glove box
- Disconnect the glove box damper (A) from the pivot (B) on the glove box (Fig 1)
- Remove the stoppers on both sides to allow the glove box to hang freely on the hinges (Fig 2)
- Locate the cabin filter plastic cover and unlock it by pressing inward on the left, right tabs and remove by pulling the tray straight out. (Fig 3)
- Remove the old cabin air filter, taking note the air flow arrow indicator on the side of the old filter (Fig 4)
- Insert the new filter into the assembly, making sure the air flow direction is correct according to the arrow indicator
- Replace the rest of the glove box assembly by reversing the removal procedure

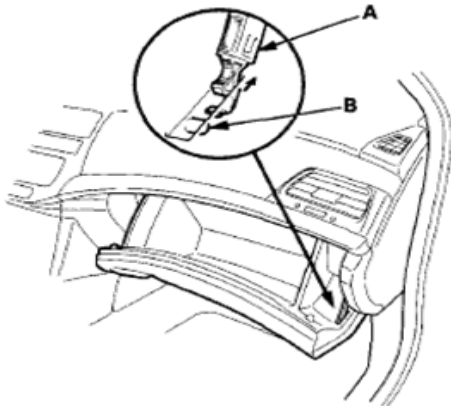


Figure 1

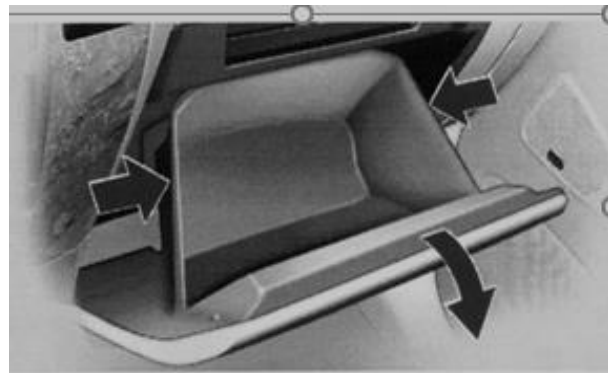


Figure 2



Figure 3

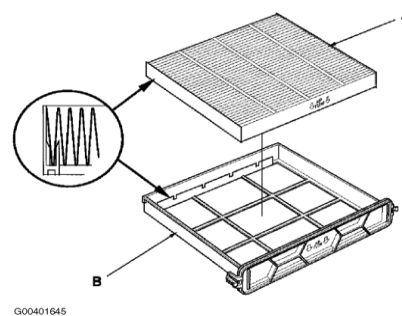


Figure 4

This is only a guide and may not be for exact model. See Owner's manual and/or local mechanic for exact instructions for the particular model.