

CABIN AIR FILTER – INSTALLATION INSTRUCTIONS

Part No.: **PC5527X**

Est. Installation Time: **less than 20 min.**

Cadillac Escalade (2003-07), Chevrolet Avalanche (2003-06),
Chevrolet Silverado & GMC Sierra, Yukon (2003-04), Hummer H2 (2003-09)

The Cabin Filter is located on the passenger side under the instrument panel.

1. Remove the instrument panel sound insulator from under right side of instrument panel.
2. Remove the retaining bolts. Remove the insulator from the HVAC module by pulling downwards. Fig. 1
3. Remove the filter access door screw.
4. Remove the filter access door from the HVAC module.
5. Remove the old filter – 2 filters. Fig 2 .
6. Insert the new filters – 2 filters
7. Screw the access door

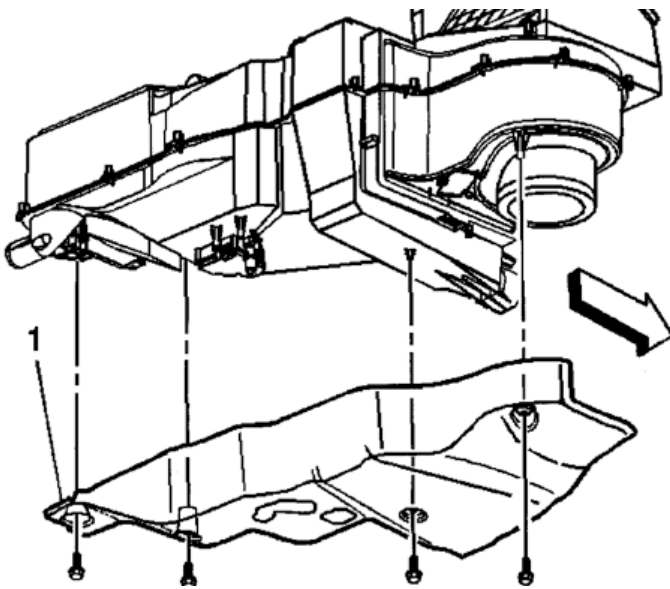


Figure 1

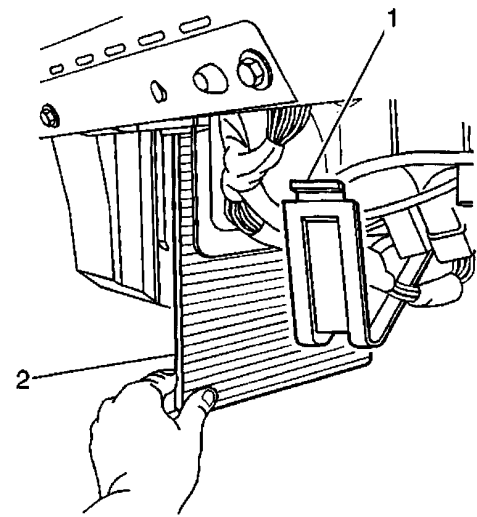


Figure 2