

# CABIN AIR FILTER – INSTALLATION INSTRUCTIONS

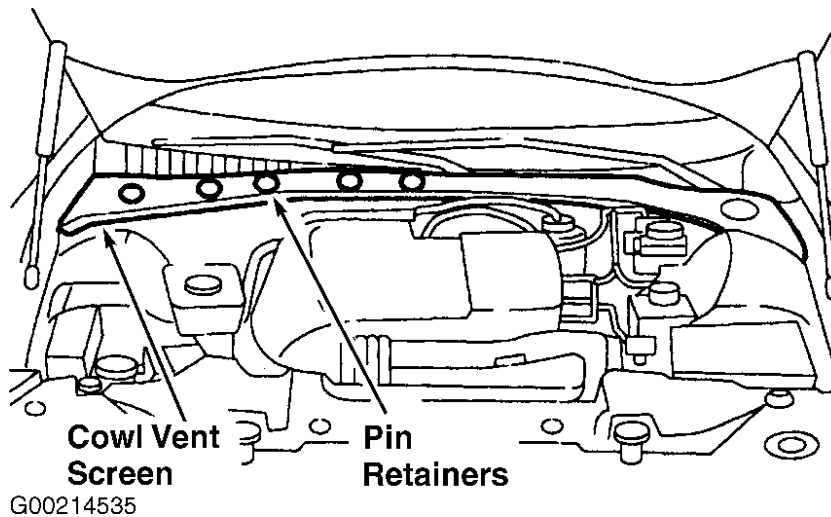
Part No.: PC5526X

Est. Installation Time: less than 30 min.

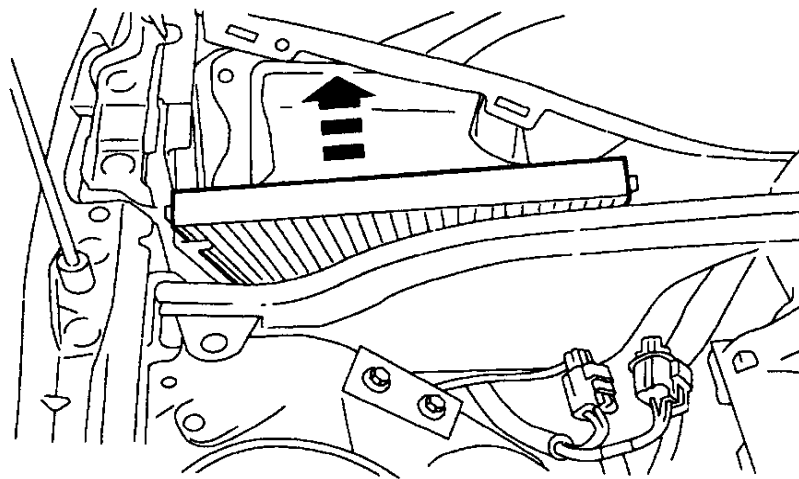
Ford Thunderbird (2002); Jaguar S-Type (2002-08); Lincoln LS (2001-06)

The cabin air filter is located under the cowl cover, on the passenger side.

1. Remove the two part pin-type retainers and separate the velcro attachment of the rubber hinge cover to the rear outboard corner of the cowl vent screen.
2. Pull up on the cowl vent screen to release the lower clips and remove the right side of the cowl vent screen. See below



3. Push on the right corner of the filter to release the clip.
4. Release the left clip and remove the old cabin air filter. See below. Clean the housing.
5. Insert the new filter
6. To install cabin air filter, reverse removal



This is only a guide and may not be for exact model. See Owner's manual and/or local mechanic for exact instructions for the particular model.