

CABIN AIR FILTER – INSTALLATION INSTRUCTIONS

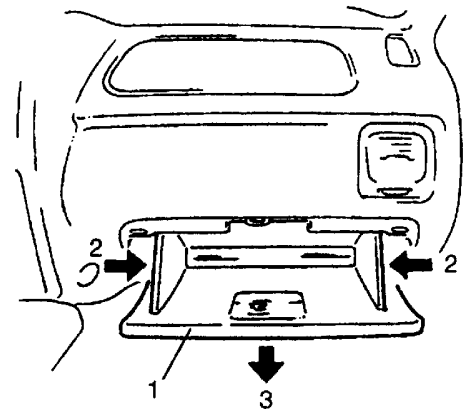
Part No.: **PC5506X**

Est. Installation Time: **less than 15 min.**

Chevrolet Tracker (1999-04), Suzuki Grand Vitara, XL7 (1999-03)

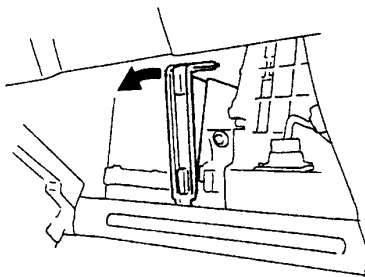
The cabin air filter is located behind the glove box – 2 Filters

1. Open the glove box
2. Push both sides of the glove box inward and pull it down to release the stoppers on the sides see →



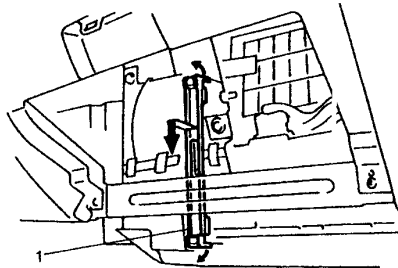
- (1) Glove Box
- (2) Push
- (3) Pull

3. Unlatch the clip and remove filter cover. See below



4-Cyl. Engine

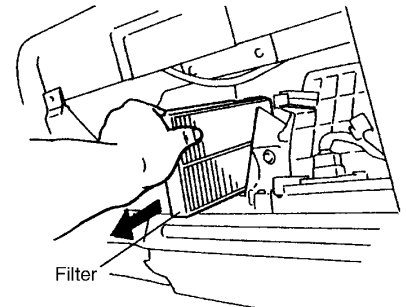
G00214585



V6 Engine

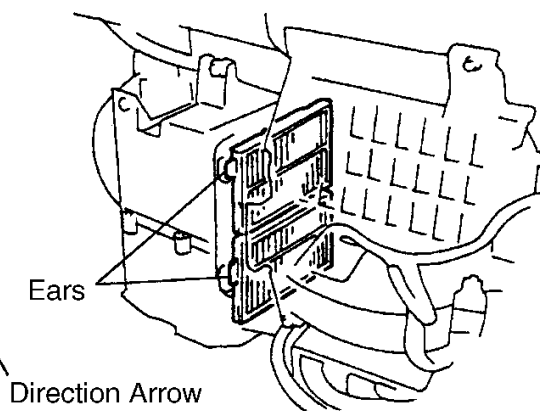
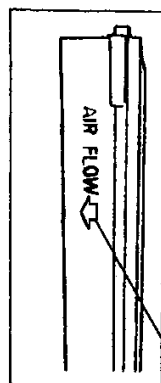
00214584

4. Pull out the old filters. Pull out upper filter first then the lower one. See →
5. Install filter into the housing directing arrow mark on its end face to heater unit. See below



Filter

G00214586



G00214587