

# CABIN AIR FILTER – INSTALLATION INSTRUCTIONS

Part No.: **PC5494X**

Est. Installation Time: **less than 15 min.**

Chrysler Town & Country, Dodge Caravan (2001-08)

OEM No. 82205905

1. Locate the air filter door on the bottom of the lower evaporator housing just outboard of the passenger side of the instrument panel center stack – Fig 1
2. Slide the air filter door latch until it engages the opened stop on the door. Pull the air filter door latch straight downward to disengage it from the air filter cover of the lower evaporator housing – Fig. 2
3. Use your fingers to reach through the air filter opening of the lower evaporator housing far enough to grasp the air filter. Pull the air filter straight down and out of the evaporator housing – Fig 1
4. With the air filter airflow arrow properly oriented, carefully slide the filter fully upward into the evaporator housing through the air filter opening.
5. With the latch still positioned against its opened stop, reinstall the air filter door onto the lower evaporator housing air filter cover. Slide the air filter door latch toward the front of the vehicle until it hits the closed stop on the door.

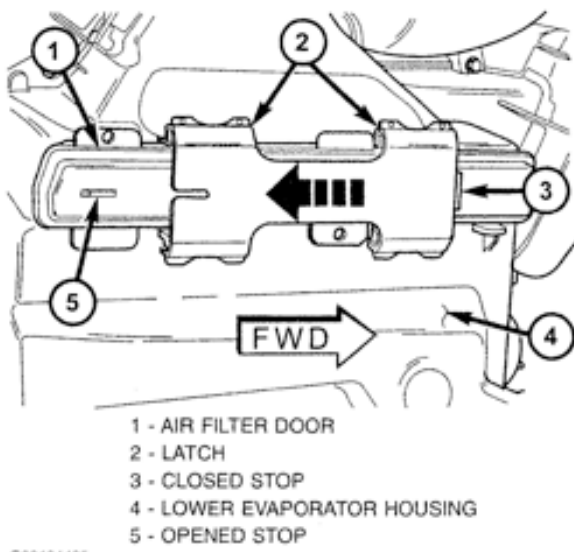


Figure 2

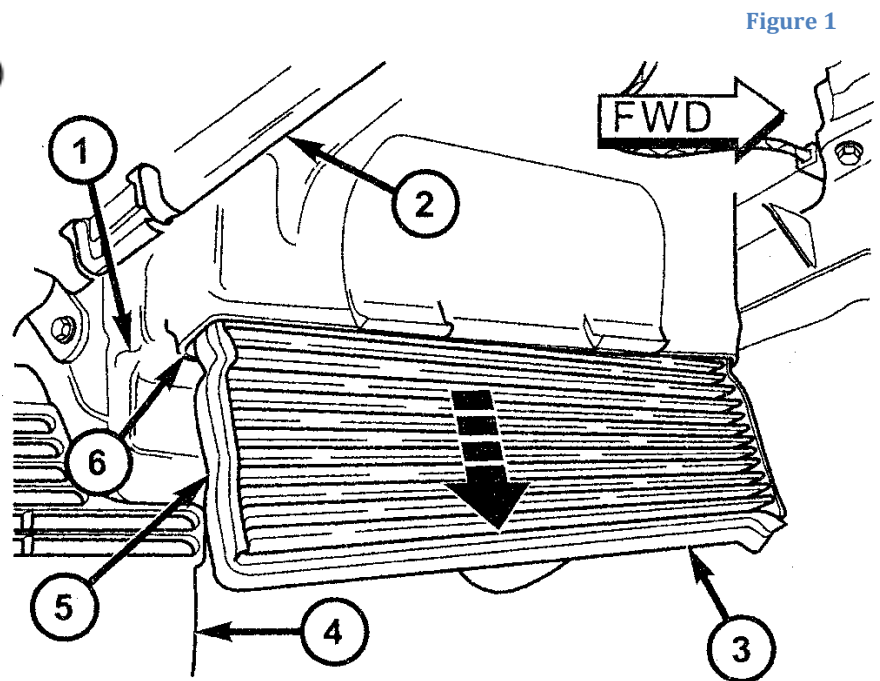


Figure 1

- 1 - LOWER EVAPORATOR HOUSING
- 2 - LOWER EDGE OF INSTRUMENT PANEL
- 3 - AIR FILTER
- 4 - INSTRUMENT PANEL CENTER FLOOR BRACKET COVER
- 5 - FOAM SEAL
- 6 - AIR FILTER OPENING