

CABIN AIR FILTER – INSTALLATION INSTRUCTIONS

Part No.: **PC5480X**

Est. Installation Time: **less than 15 min.**

Pontiac G3 Wave (2009), Saturn L Series (2000-05), LS-Series (2000), LW-Series (2001-03)

Cabin air filter located under the cowl grill on the passenger side

1. Open the hood
2. Remove any debris on the cowl grill such as leaves or pine needles.
3. Starting with the passenger side, gently remove the hood-to-cowl weather-strip by peeling it up from one end. Stop half-way.
4. Use a flat-blade screwdriver to lift the in the cowl screen - Fig. 1
5. Open the filter access door by rotate the locking tabs outward to release the filter assembly – Fig. 2
6. Remove the old filter
7. Insert the new filter and close the housing access door

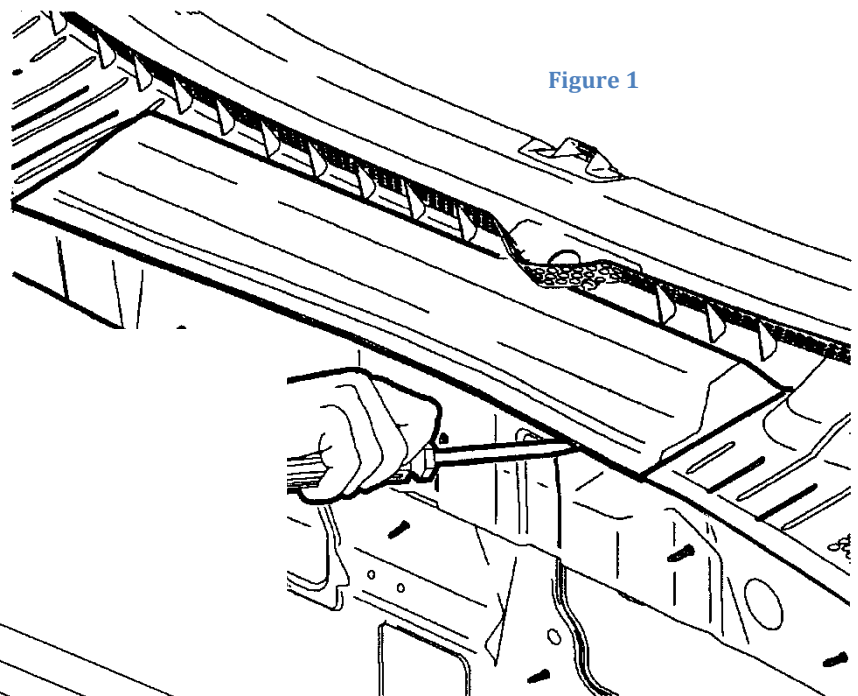


Figure 1

Figure 2

