

CABIN AIR FILTER – INSTALLATION INSTRUCTIONS

Part No.: **PC5425X**

Est. Installation Time: **less than 15 min.**

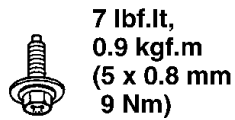
Acura RL (1996-04)

OEM No. 79371-SZ3-A01

The cabin filters (2 filters) are located behind the glove box

Removing the Glove Box

►: Bolt locations, 2

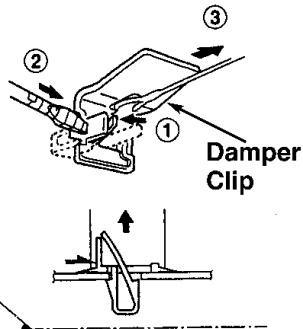


Trunk Lid
Opener Main
Switch Connector

Glove Box
Stops

Glove Box

Damper
Clip



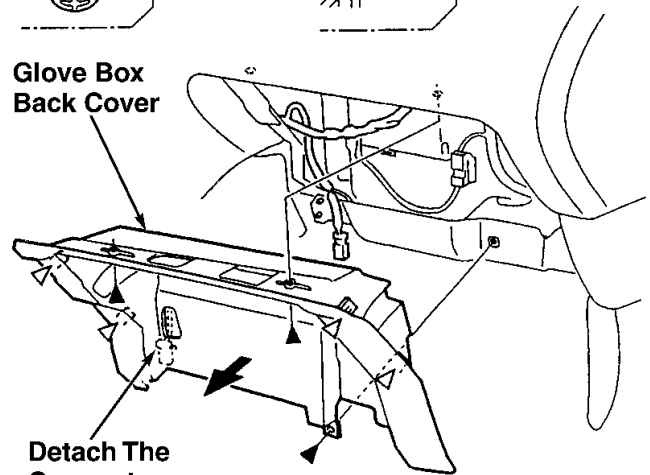
►: Screw Locations, 3

▷: Clip Locations, 4

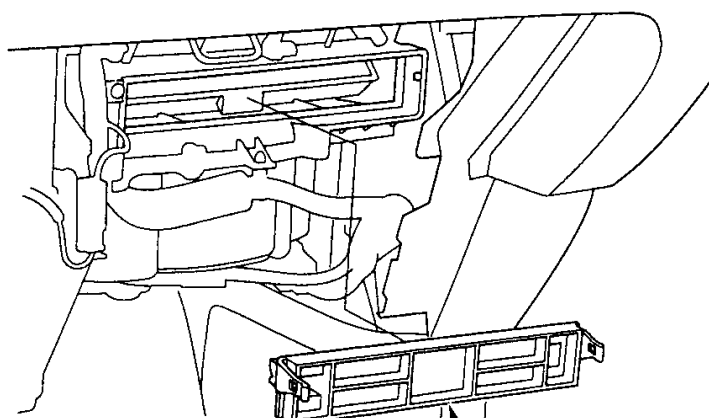


Glove Box
Back Cover

Detach The
Connector.

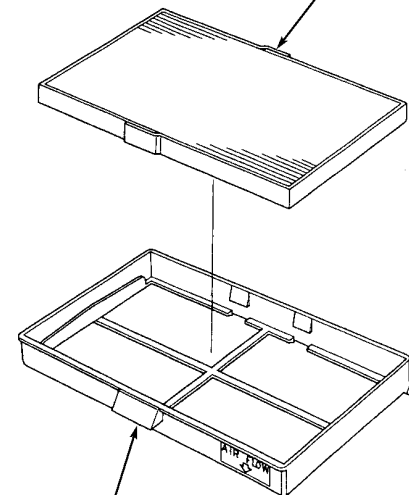


Replacing the Old Filters



Filter Lid

Dust And Pollen Filter



Filter Housing

This is only a guide and may not be for exact model. See Owner's manual and/or local mechanic for exact instructions for the particular model.