

CABIN AIR FILTER – INSTALLATION INSTRUCTIONS

Part No.: **PC5409X**

Est. Installation Time: **less than 30 min.**

Buick Park Avenue (1997-05); Cadillac Seville (1998-04) OEM No. 52472175

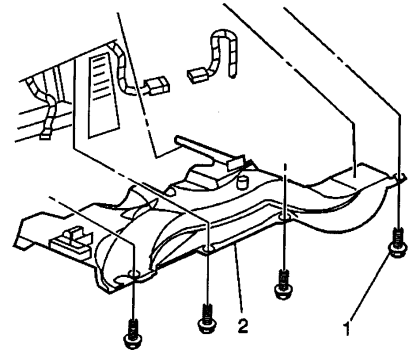
The cabin air filter is located under the instrument behind the glove box

Remove the left sound insulator panel under the glove box

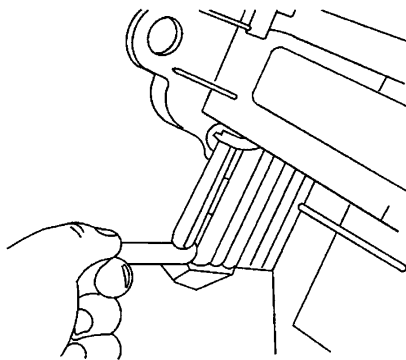
On Seville models, twist the shift cable grommet and position the cable away from the filter access cover.

It may be necessary to cut the tie strap, and to slice and peel back the foam insulation in order to position the shift cable grommet out of the way in order to access the filters.

Remove the filter access cover (2). Push the cover down, then pull the cover out. See →



G00214547



G00206713

Remove the first filter by pulling the filter tab. See ←

Locating Filter Tab on the second filter and pull it out

Remove the third filter by pulling the filter tab.

Keep the new filters as straight as possible during installation.

Install the first filter into the housing. Use the tab or a long screwdriver in order to raise the filter, so that the leading edge of the filter catches on the holding rib inside the filter case.

Install the second filter in the remaining tab of the first filter. Slide the second filter into the remaining channels of the first filter. Raise the filters so that the leading edge of the second

filter catches on the holding rib inside the filter case.

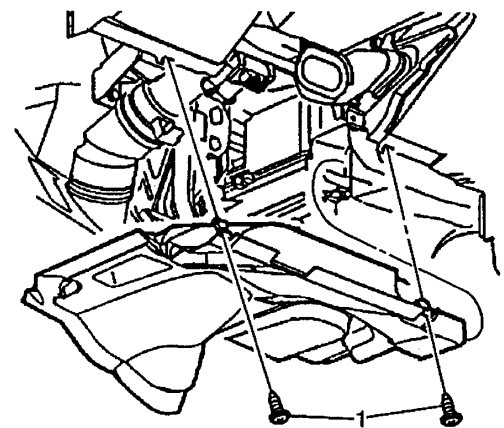
Install the third filter in the tab of the second filter. Slide the third filter into the remaining channels of the second filter.

Fold the second filter tab down and pull the third filter tab up over the second filter.

Install the filter access cover (1). See → .Reposition the shift cable grommet. If the insulation was peeled back, secure the foam back into the original position.

Install the left sound insulator panel.

(Seville, 1998-2004)Remove the fasteners (1) at the rear edge of the insulators in order to disengage the fasteners from the lower instrument panel. See



G00214519