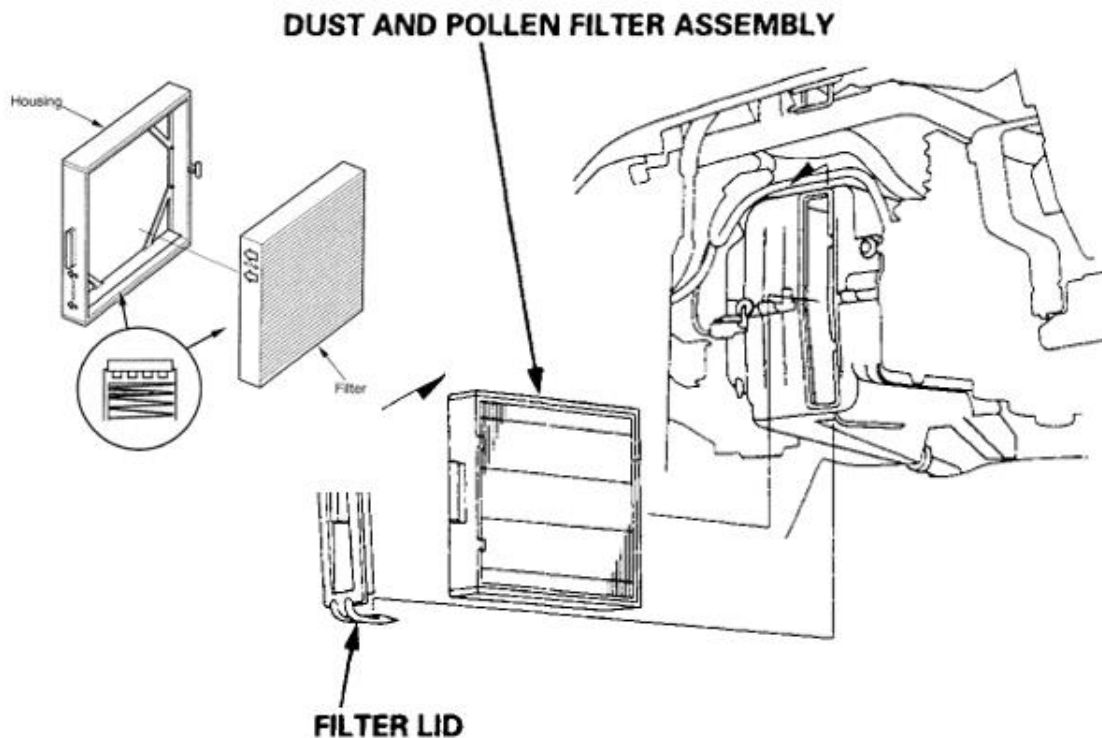


CABIN AIR FILTER – INSTALLATION INSTRUCTIONS

Est. Installation Time: less than 15 min.

The Cabin Air Filter is located behind the glove box.

1. Remove glove box and glove box frame.
2. To remove glove box frame, remove the self-tapping screws and passenger side lower cover. Remove the bolts and glove box frame with the knee bolster
3. Release the wire harness from the clamps on the evaporator.
4. Remove the filter lid, then pull out the filter assembly from the evaporator housing.
5. Remove the filter from the filter housing. See below
6. Ensure arrow marks on edge of filter face in direction of air flow.
7. Reverse removal procedure.



This is only a guide and may not be for exact model. See Owner's manual and/or local Technician for exact instructions for the particular model.