

# CABIN AIR FILTER – INSTALLATION INSTRUCTIONS

Part No.: **PC5385X**

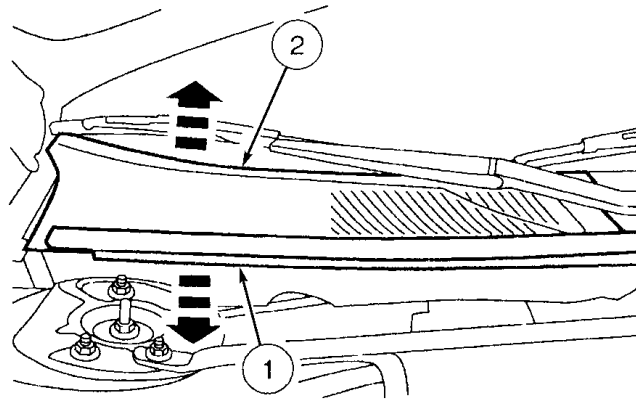
Est. Installation Time: **less than 15 min.**

Lincoln Continental (1998-02)

OEM No. F80H-19N619-AA

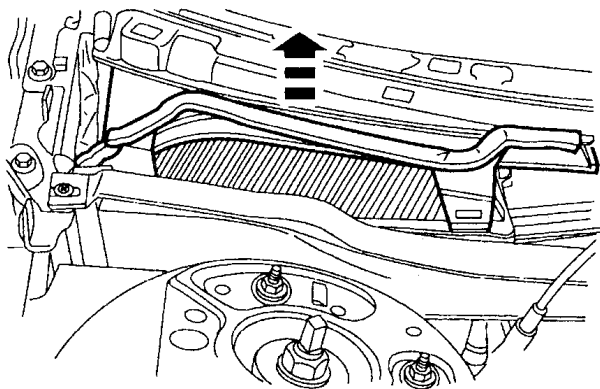
The cabin air filter is located under the cowl cover panel, on the passenger side.

1. Rotate the wiper arms to an up position.
2. Open the hood.
3. Pull the hood weather-strip away from the right cowl vent screen.
4. Remove the right cowl vent by unscrewing the screw on the far left.



G00214528

5. Removing right cowl vent screen and remove the water shield.
6. Remove the old filter from the housing, and clean the housing.
7. To install filter, reverse removal procedure



G00214529