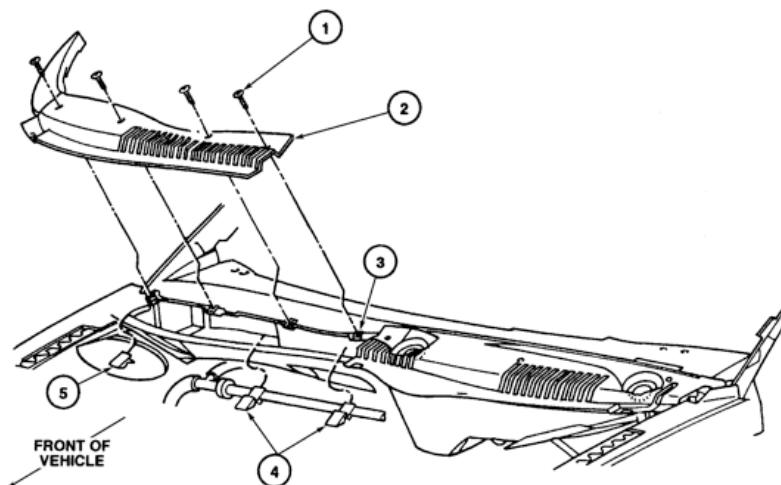


CABIN AIR FILTER – INSTALLATION INSTRUCTIONS

Est. Installation Time: less than 15 min.

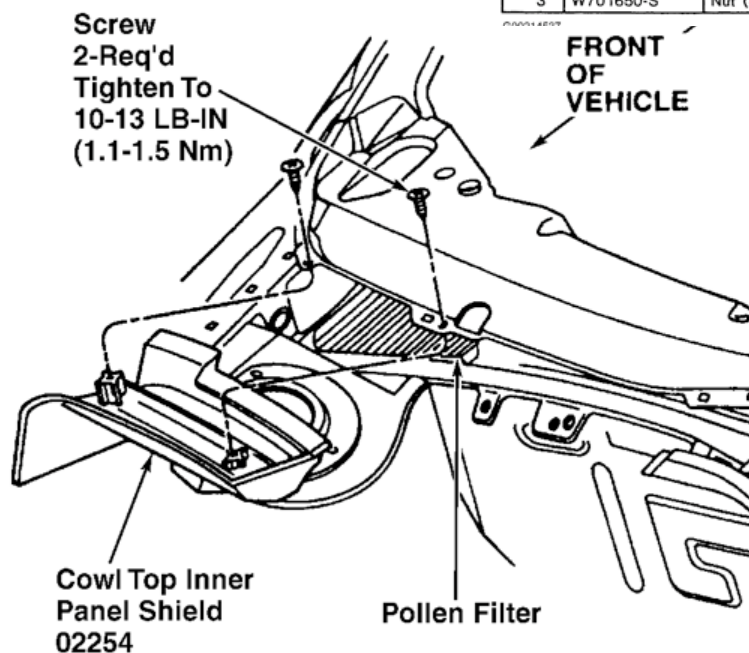
The Cabin Air Filter is located behind the glove box.

1. The cabin air filter is located on passenger side under the hood In the cowl
2. Release and open the hood
3. Remove the vent covers screws
4. Remove push-on clips retaining right cowl vent screen and remove right cowl vent screen from vehicle.
5. Remove 2 screws and remove cowl top inner panel shield from vehicle
6. Pull out the old filter and insert the new one
7. Reverse the steps above



Item	Part Number	Description
1	W701649-S	Nylon Pushpin (4 Req'd)
2	018A16	Cowl Vent Screen
3	W701650-S	Nut (4 Req'd)

Item	Part Number	Description
4	—	Push-On Clip (Part of Vacuum Hose)
5	N808342-S307	Push-On Clip



This is only a guide and may not be for exact model. See Owner's manual and/or local Technician for exact instructions for the particular model.