

CABIN AIR FILTER – INSTALLATION INSTRUCTIONS

Est. Installation Time: less than 15 min.

The Cabin Air Filter is located behind the glove box.

1. The cabin air filter is located behind the glove box
2. Open the glove box and locate Glove Box Stopper Fig 1 .
3. Remove the glove box stopper in the lower crash pad (assist seat side), and completely lower the glove box.
4. Locate Air Filter Cover - Fig 2. Disconnect the intake and exhaust cable from the blower unit.
5. Locate Intake & Exhaust Cable on Blower Unit Press the hook on the air conditioner side air filter cover and remove the cover
6. Remove Filter Cover – Fig 3. Remove A/C (cabin) air filter.
7. Replace the upper/lower air filters – Fig 4. Some models used a one-piece filter.

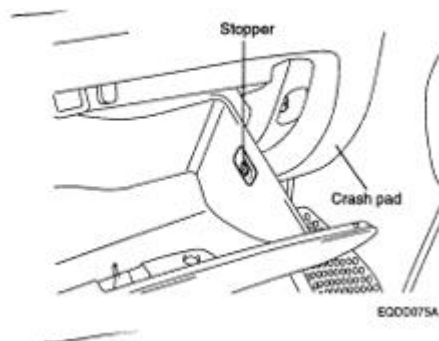


Figure 1

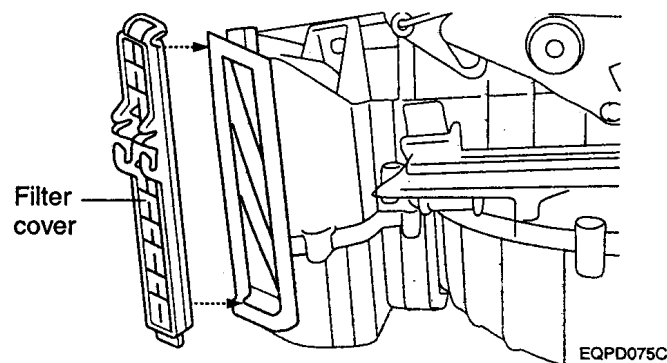


Figure 3

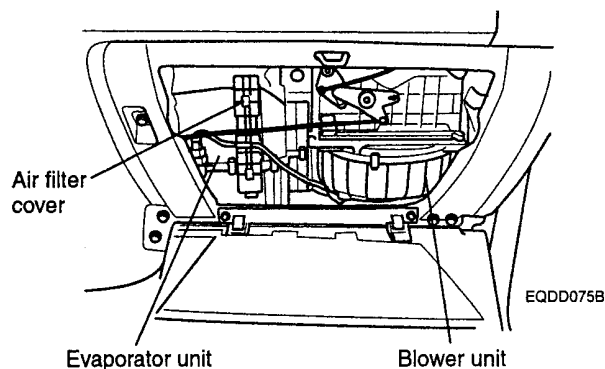


Figure 2

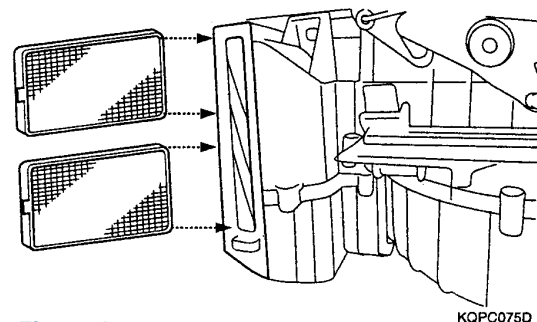


Figure 4

This is only a guide and may not be for exact model. See Owner's manual and/or local Technician for exact instructions for the particular model.