

# CABIN AIR FILTER – INSTALLATION INSTRUCTIONS

Item No.: **PC4860X**

Est. Installation Time: **less than 30 min.**

**Ford Contour, Mercury Mystique (1995-00); Mercury Cougar (1999-02) (Ford F5RZ-19N619-B)**

## 1995-1997 Ford - Contour & Mystique

### Removal

1. Position windshield wiper arms away from cowl vent screed.
2. Remove plastic screw covers and 3 top screws retaining right hand half of cowl vent screen.
3. From inside vehicle, pull hood lock release handle to release hood. Lift and support hood.
4. Pull hood pad straight up away from cowl vent screen.
5. Remove three side screws retaining right hand half of cowl vent screen.
6. Remove the right hand half of cowl vent screen from vehicle.
7. Disengage clips retaining pollen filter cover.
8. Remove cover and filter from vehicle and remove filter from cover.

### Installation

1. Install filter and cover to cowl and engage two retaining clips.
2. Install cowl vent screen and three side retaining screws.
3. Install hood pad and close hood.
4. Install three top screws and plastic screw covers to cowl vent screen.
5. Switch on ignition switch and park windshield wipers.

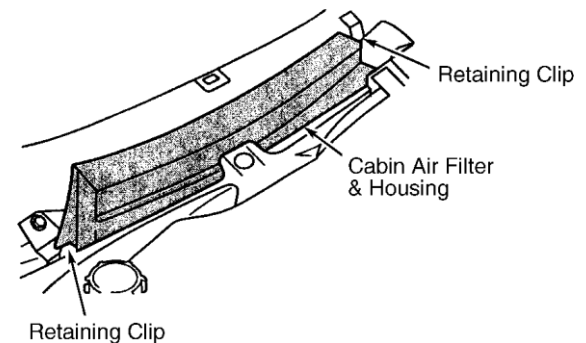
## 1998-2000 Ford - Contour & Mystique

### Removal

1. Place wiper arm in horizontal position.
2. Lift arm away from windshield while pulling retaining clip at base of arm on windshield side of arm.
3. Release wiper arm, and lift it from base.
4. Remove 5 plastic caps from screws on grille.
5. Open hood. Pull off rubber weatherstrip at back of engine compartment.
6. Remove 5 screws from grille.
7. Separate grille halves and remove grille.
8. Cabin filter is located on left rear side of engine compartment.
9. Pull off both retaining clips, and remove housing and filter..
10. Remove cabin filter from housing and replace with new filter.
11. Insert housing and filter back into left rear side of engine compartment.

### Installation

Reinstall retaining clips. To complete installation, reverse removal procedures



Locating Cabin Air Filter & Housing (1998-2000)

## 1999-2002 Mercury Cougar

### Removal & Installation

When the battery has been disconnected and reconnected, some abnormal drive symptoms may occur while the vehicle relearns its adaptive strategy.

The vehicle may need to be driven 10 miles or more to relearn adaptive strategy.

1. Make sure that the wiper motor is in the park position.
2. Disconnect the battery ground cable.
3. Remove the wiper arm plastic covers and loosen the nuts.
4. Lift the wiper arm and release them from the taper by moving them to the side. Open the hood. Remove the cowl grille screw covers.
5. Remove the bolts. Remove the weather seal.
6. Disconnect the cowl grille at the rear and remove it. See Remove cabin filter from housing and replace with new filter.
7. Insert housing and filter back into left rear side of engine compartment.

