

# CABIN AIR FILTER – INSTALLATION INSTRUCTIONS

Item No.: **PC4856HX**

Est. Installation Time: **less than 15 min.**

Nissan Frontier (1998-04) Xterra (2000-04) OEM No. B7200-3S500

1. The cabin air filter is located behind the glove compartment. The glove compartment should be removed.
2. Keep the glove box closed remove the 2 screws at the right and left lower corners below the glove box door.
3. Open the glove compartment and remove the 4 screws (two on the sides and two in the center to the sides of the lock latch. Fig. 1
4. Remove the glove box frame.
5. Remove the clip securing the filters in the intake unit. Fig. 2. Remove the lower filter first then the upper filter Fig. 3
6. Clean the filter housing
7. Install the new filters, top one first and clip it into position. Then insert the 2nd filters.
8. Install the clip that locks the bottom filter into the housing.
9. Re-install the glove box in place and re-install the 4 screws at the top first (remember to install the latch). Then the 2 screws at the bottom.

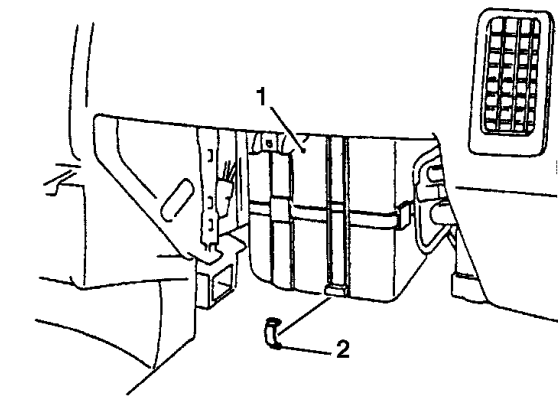


Figure 2

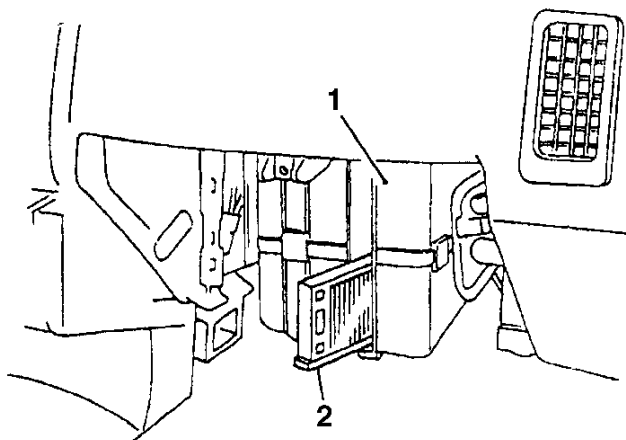


Figure 3

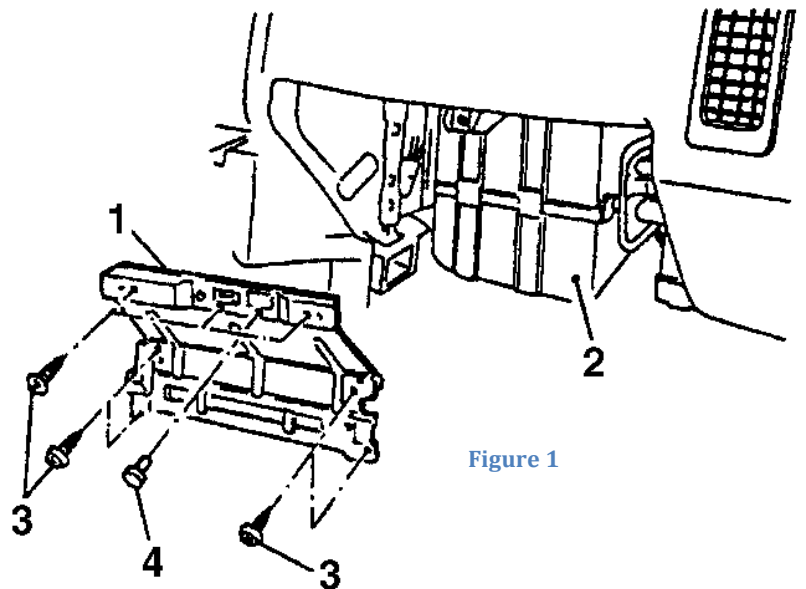


Figure 1

G00206729