

# CABIN AIR FILTER – INSTALLATION INSTRUCTIONS

Item No.: **PC4809X**

Est. Installation Time: **less than 15 min.**

Kia Amanti (2004-09) OEM No. 97114-3B100

1. **Open the glove box.**
  2. **Lower the glove box down completely by removing the glove box stopper to the lower crash pad. Fig 1**
  3. **Locating Glove Box Stopper**
  4. **Remove the glove box tension cord attached to the back of the glove box.**
  5. **Remove the filter cover by pushing the knob. See . Remove the filter.**
  6. **Remove the old filter and clean the filter housing**
  7. **Insert the new filter, making sure the filter is installed in the proper direction.**
- Fig. 2**

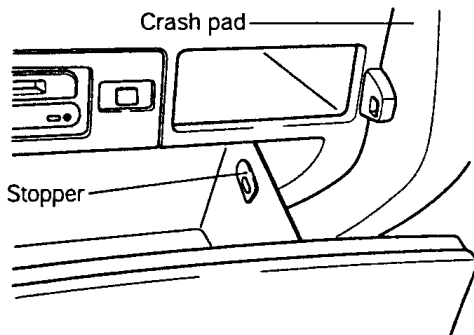


Figure 2

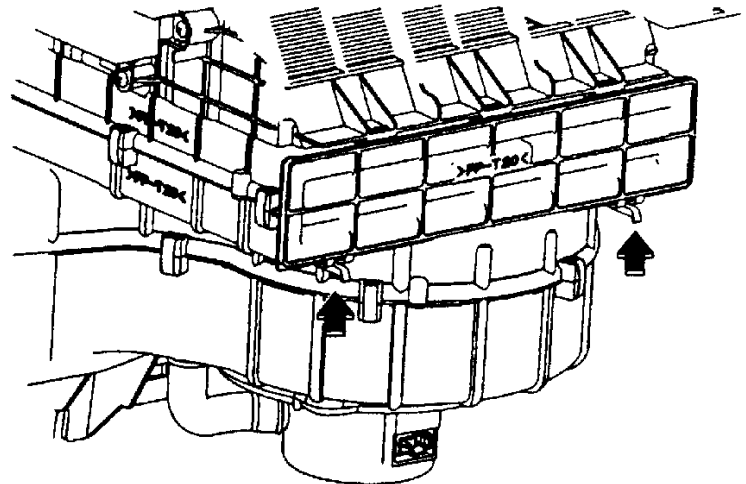


Figure 1