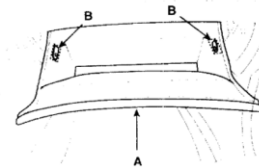
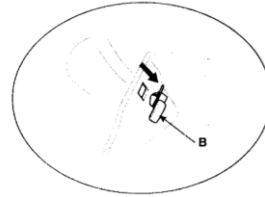


# CABIN AIR FILTER – INSTALLATION INSTRUCTIONS

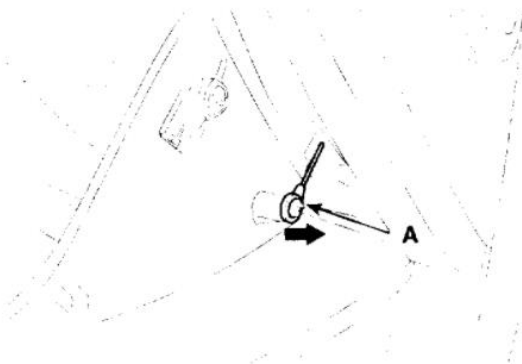
Est. Installation Time: less than 15 min.

## The Cabin air filter is located behind the glove compartment

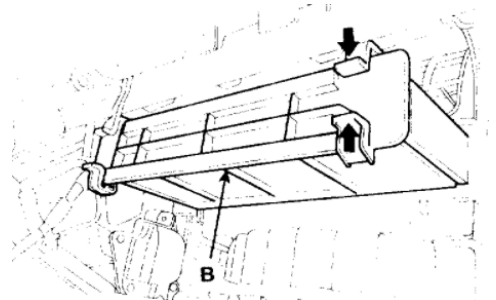
1. Open the glove box (A). Lower the glove box down completely by removing the glove box stopper (B) to the glove box.



2. Remove the side dampener (A) from the glove box.



3. Squeeze the two tabs on each side of the cabin air filter housing and pull out to remove, as you remove the filter note the direction of the Air flow arrow indicator on the side of the old filter.



4. Insert the new filter into the housing, making sure it is seated and secured in the tray properly and that the air flow direction is correct according to the arrow indicator.
5. Complete the Installation in the reverse order of removal.

This is only a guide and may not be for exact model. See Owner's manual and/or local technician for exact instructions for the particular model.