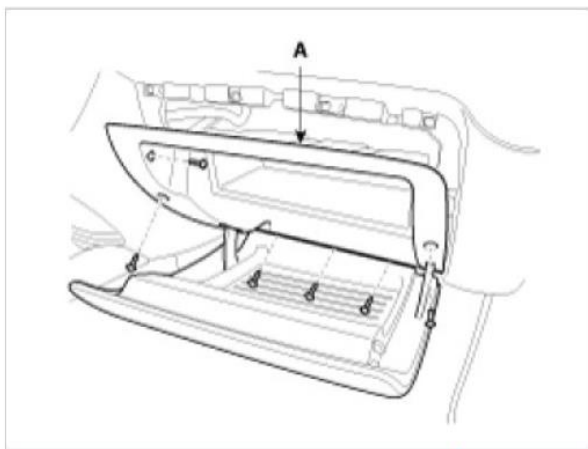


# CABIN AIR FILTER – INSTALLATION INSTRUCTIONS

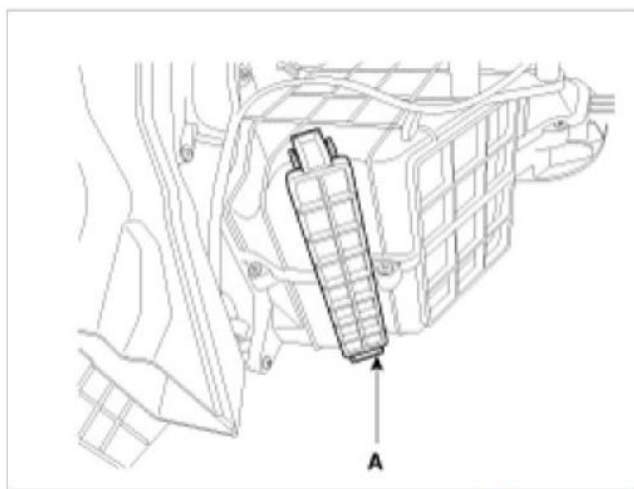
Est. Installation Time: **less than 15 min.**

The Cabin Air Filter is located behind the glove box.

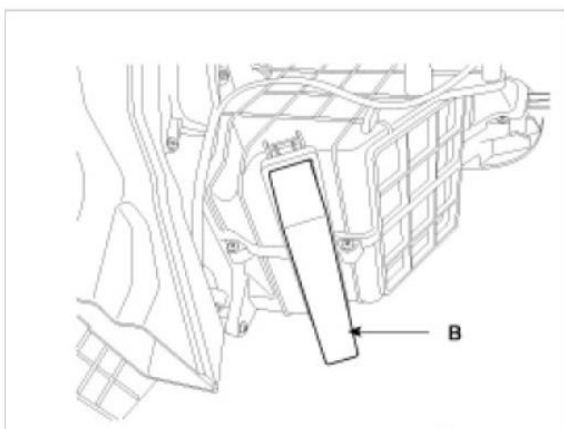
1. Loosen the mount screw and then remove the glove box (A).



2. Remove the filter cover (A) with pushing the knob.



3. Replace the **air filter** (B), install it after making sure of the direction of air filter.



4. Installation is the reverse order of removal.

This is only a guide and may not be for exact model. See Owner's manual and/or local Technician for exact instructions for the particular model.