

# CABIN AIR FILTER – INSTALLATION INSTRUCTIONS

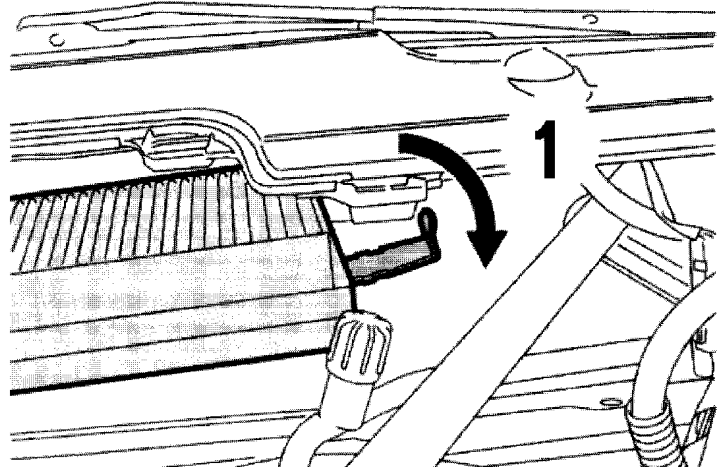
Part No.: **PC4202X**

Est. Installation Time: **less than 10 min.**

Porsche Boxster (1997-14), 911 Series (1998-14) Cayman (2006-12)

The cabin air filter is located under the cowl cover panel, on the passenger side.

1. Open the hood.
2. Remove battery cover in the center of the cowl, by unscrewing the two fasteners on the right and left.
3. Remove cover on right for plenum chamber, unscrew the two bottom fastening screws.
4. Release the old filter, by disengaging the latchet on the right
5. Pull the old filter out and clean the housing



6. Install the new filter with the air flow arrow pointing down
7. Install the filter housing cover and secure it with the fasteners
8. close the battery cover and secure it
9. Close the hood

