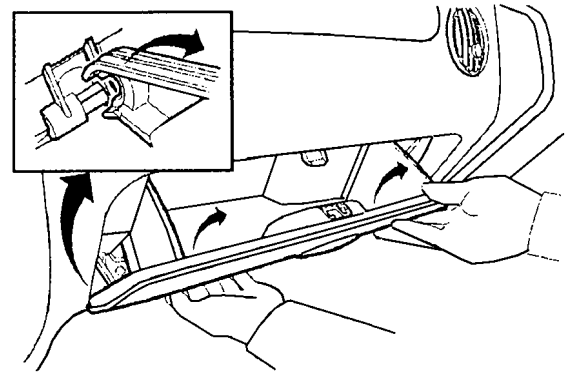


CABIN AIR FILTER – INSTALLATION INSTRUCTIONS

Est. Installation Time: less than 15 min.

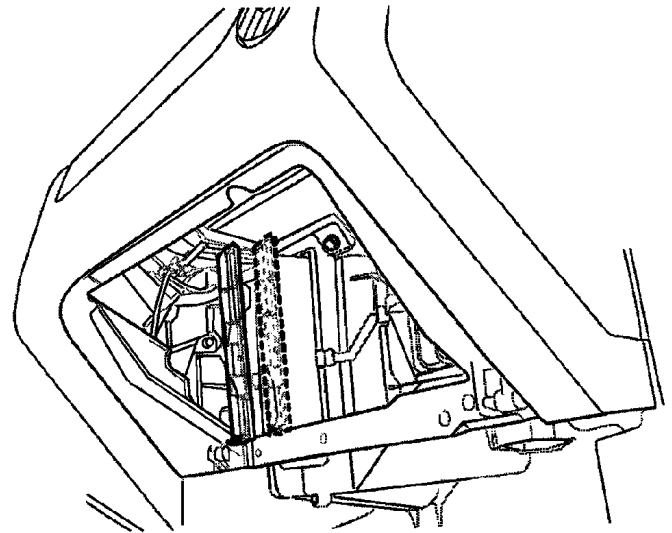
The Cabin Air Filter is located behind the glove box.

1. Open the glove box halfway down.
2. Push inward both sides of the box and pull down to release the stoppers
3. Grip the glove box by both the upper and lower sides and pull it out of its housing. See →



G00329144

4. Remove the filter cover by pressing in on the bottom retaining tab and pulling the cover down. See → (you may need to remove the metal bar to be able to remove the filter housing cover)
5. Pull out the old filter.
6. Clean out any debris in the filter area.
7. Insert the new filter into the housing with plastic tab pointing out
8. Reverse the steps above.



G00329145

This is only a guide and may not be for exact model. See Owner's manual and/or local Technician for exact instructions for the particular model.